

WATERPROOF WIRE TO WIRE CRIMP HOUSING



3230 SERIES. 2.00 mm. (0.079") pitch IPX7.

General Features

- Available in 2, 3 and 4 circuits
- Mates with 2,00 mm. pitch 3230 series
- Use crimp terminal 3231 and 3232 series
- Inner housing lock construction
- Disconnectable crimp style

Materials

- Insulator: Insulator: PBT + 15% GF UL 94 V-0
- Waterproof ring: Oil silicone
- Waterproof plug: Oil silicone
- Operating temperature. -25°C to +85°C
- Waterproof grade: IPX7 of IEC 60529
- RoHS compliant

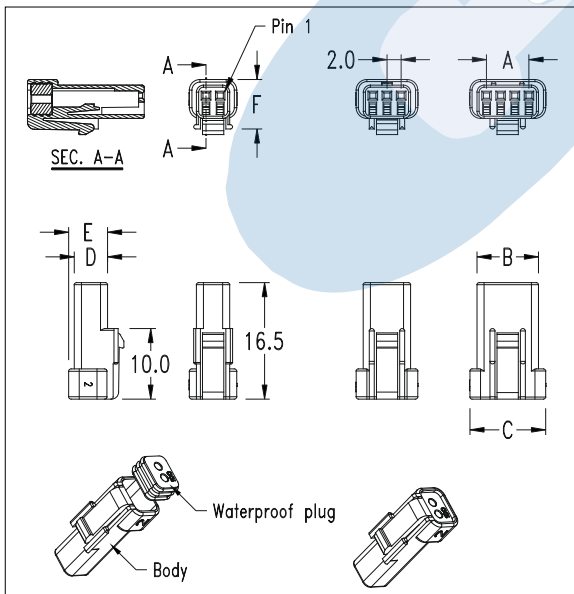
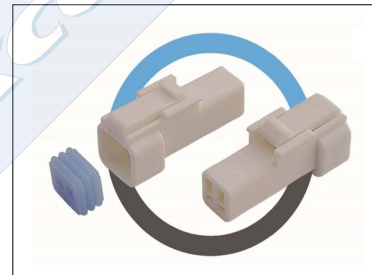
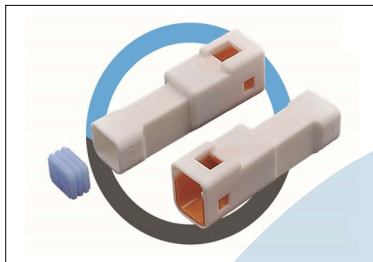
Dimensions

Electrical Features

- Voltage rating: < 100 V
- Current rating: < 3 A
- Contact resistance: < 20 mΩ
- Dielectric withstanding Voltage: 500 V AC/minute
- Insulation resistance: >1000 MΩ

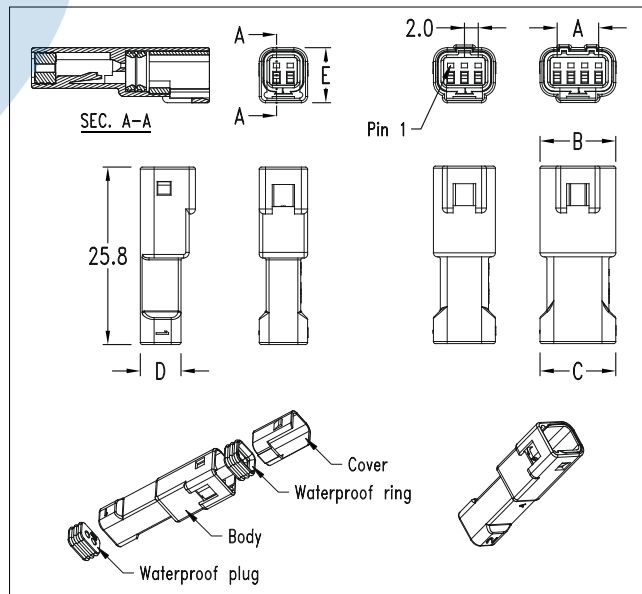
Mechanical Features

- Durability: 500 Cycles



Part Number: 3230 - 2 (XX*) 1

XX*= Circuit Size



Part Number: 3230 - 1 (XX*) 1

XX*= Circuit Size

Circuits	Dimensions				
	A	B	C	D	E
2	2.0	7.0	7.0	5.9	8.1
3	4.0	9.0	9.0	5.9	8.4
4	6.0	11.0	11.0	5.9	8.4