

# 5.70 mm. DUAL ROW MEGA POWER CON.



## 7740 SERIES. 5.70 mm. (0.224") pitch. Receptacle housing.

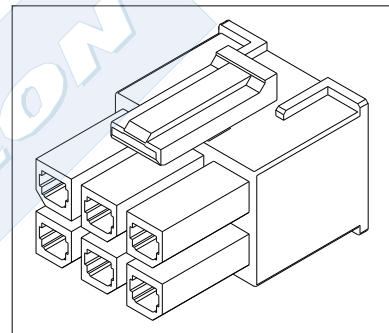
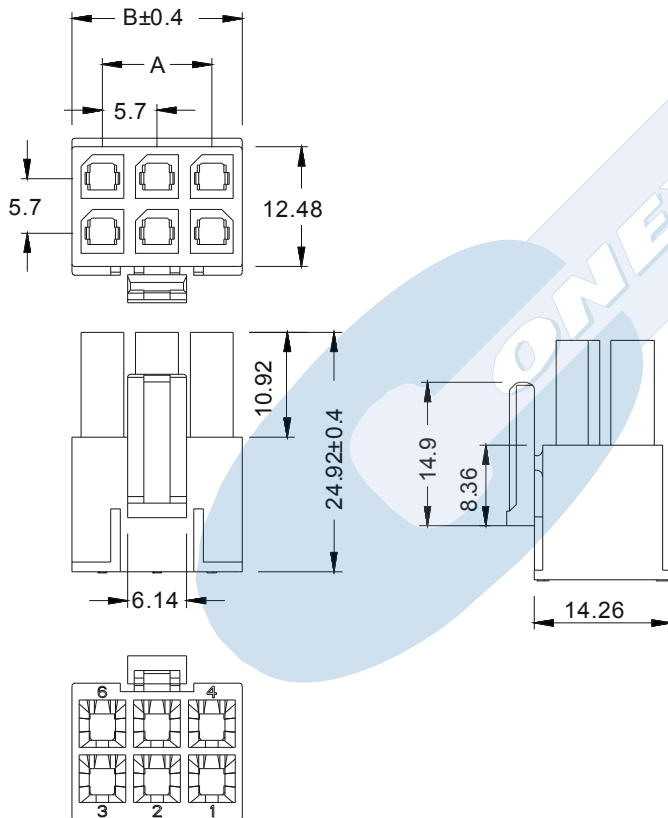
### General Features

- Available in 2 through 12 circuits
- Mates with 5.70 mm. pitch pin headers 7745, 7746 series
- Polarised with positive locking system
- Use crimp terminal 7742 and 7744 series
- Allows wire to PCB connections

### Materials

- Insulator: PA 66 UL 94 V-2
- Operating temperature: -40°C to +105°C
- RoHS compliant

### Dimensional Information



### Ordering Information:

**7740 - 2 - XX - 1**  
 1                                  3

**1. Connector Series**

**3. (XX) number of circuits**

- Available in 2 through 12 circuits

**Dimensions:** (In mm.)

$A = 5.70 \times (XX^*/2 - 1)$

$B = 5.70 \times (XX^*/2) + 0.65$

XX\* = Number of circuits

Wire Size		Circuit Size			
AWG	Max. Insulator ø.	2	4	6	8-12
#12-4.0 mm <sup>2</sup>	.162" (4.11 mm.)	23A	20A	18A	16A
#14-2.5 mm <sup>2</sup>	.148" (3.75 mm.)	21A	17A	15A	13A
#16-1.5 mm <sup>2</sup>	.125" (3.18 mm.)	17A	15A	13A	12A