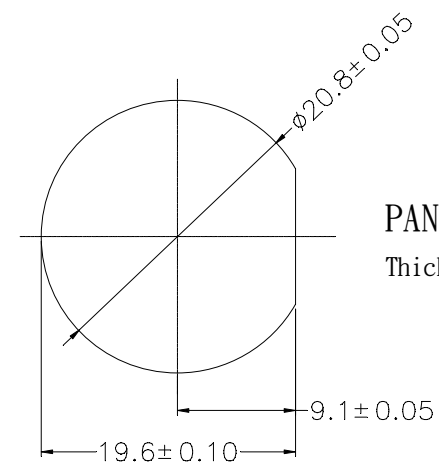
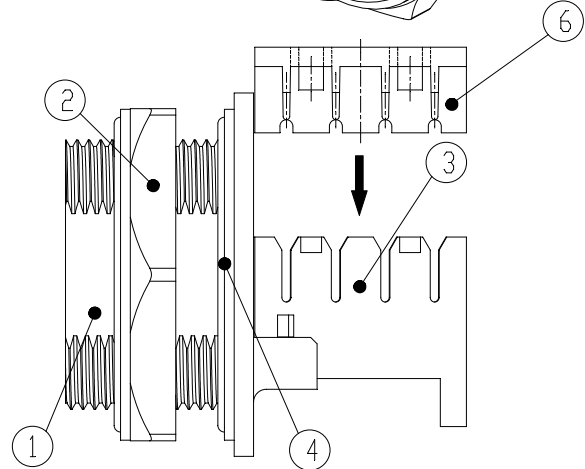
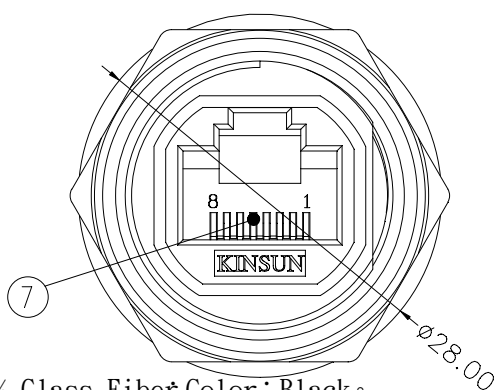
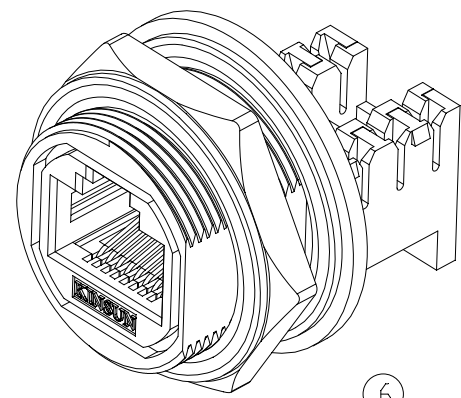
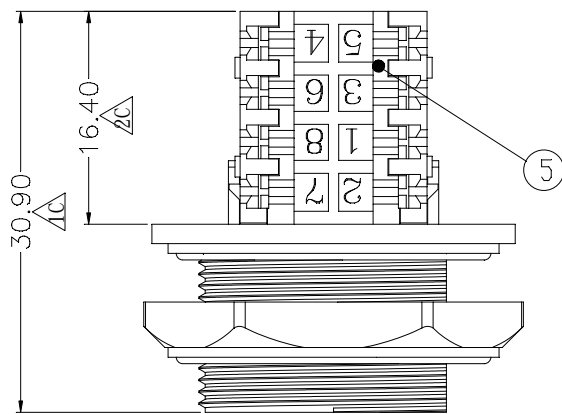


RoHS COMPLIANT



PANEL Cut-Out  
Thickness=0.5~2MM

UNIT:mm

- Note:
1. PBT+30% Glass Fiber Color: Black
  2. PBT+30% Glass Fiber Color: Black
  3. ABS; Color: Black
  4. Silicon 70° Material Certificate. Color: Red 167C
  5. ABS; Color: Black
  6. PC+30%GF; Color: Transparent black
  7. PBR C5191 (Phosphor Bronze) 0.4 thickness  
PLATING: GOLD 30u" PLATING OVER NICKEL IN CONTACT  
TIN PLATING OVER NICKEL IN SOLDER AREA
  8. 3350 JACK and PLUG are IP67 waterproof connector

SPECIFICATIONS

- Current rating : 1.5 Amps Max. @ 25°C.
- Voltage rating : 125 VAC MAX.
- Insulator resistance : 500M Ohms min .
- Contact resistance : 40 m ohm Max.
- Dielectric withstanding : AC 1000 V,RMS,60Hz for 1 minutes.
- Operating temperature : -0°C +85 °C
- Storage temperature : -40°C +85 °C

設計 DR.	核准 APPD.	容許公差 .XXX ±0.10 .XX ±0.25 .X ±0.38 X ±0.50 ANG ±3°	TOLERANCE	ARTICLE 3170-6881	
版本說明 REVISION NOTE				圖號 3170	
				單位 UNIT mm	比例 SCALE