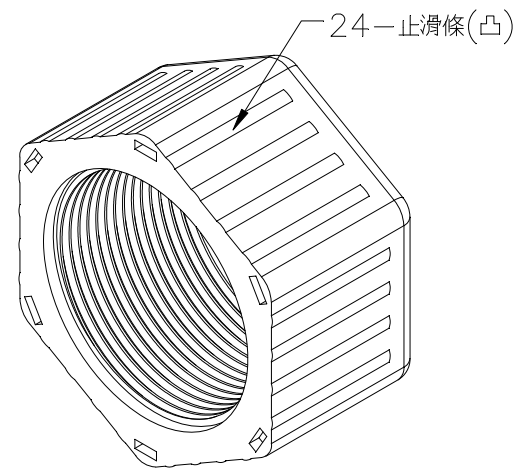
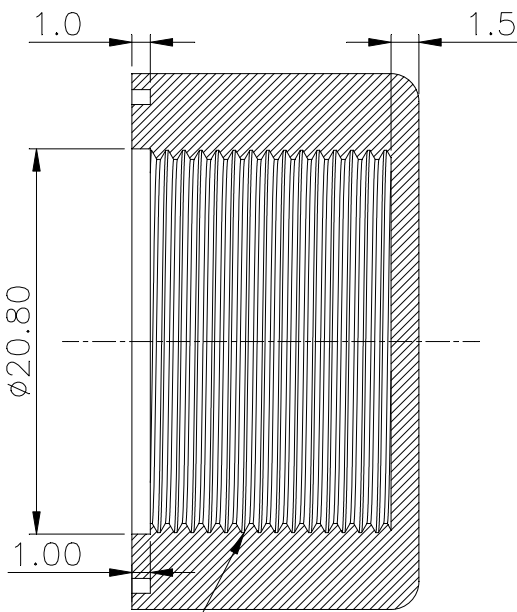
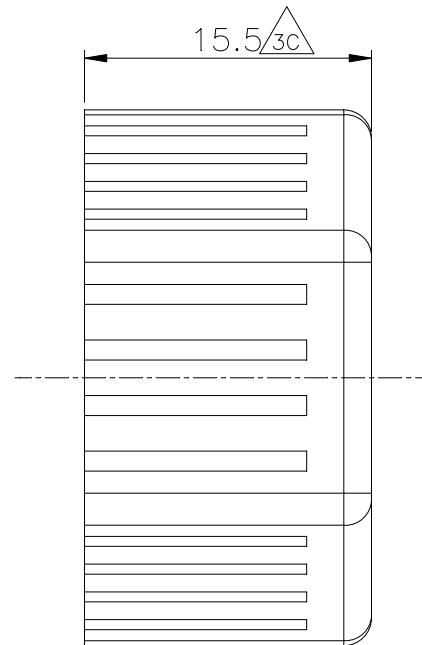
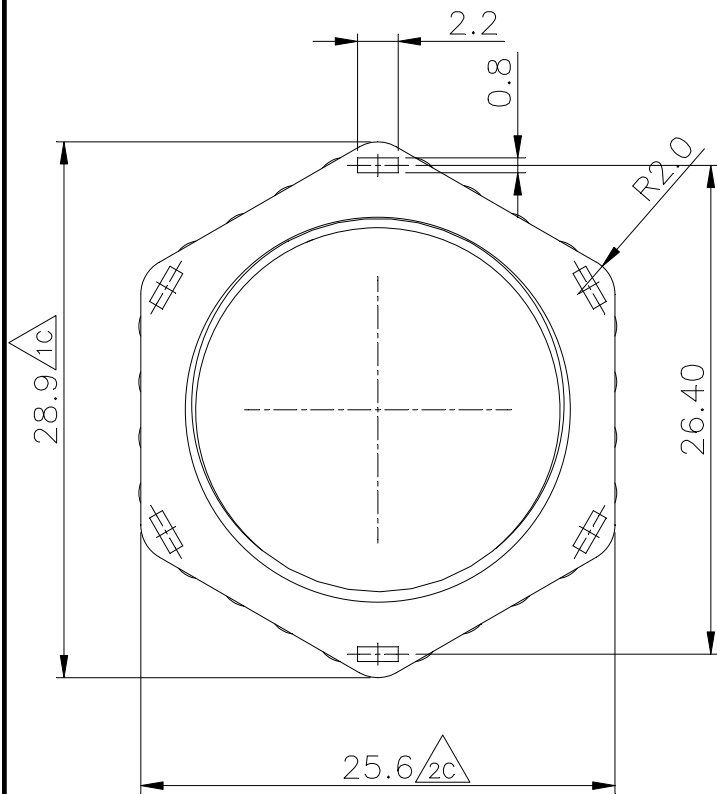

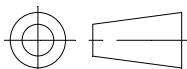


RoHS COMPLIANT



MATERIAL: PBT+30% GLASS FILLED
 POLYESTER UL 94V-0
 COLOR: BLACK OR OPTION

DR. Andy 99-02-10	Jerry 99-02-10	.XXX ±0.05 .XX ±0.10 .X ±0.25 X ±0.38 ANG ±3°	ARTICLE 3176-0000	
REVISION NOTE			DWG NO. 3176	
			單位 UNIT mm	比例 SCALE 2.5/1
			張數 SHEET 1/1	版本 REV. C