

# SINGLE ROW TOP ENTRY HEADER



## 1986 SERIES. 2.00 mm. (0.079") pitch.

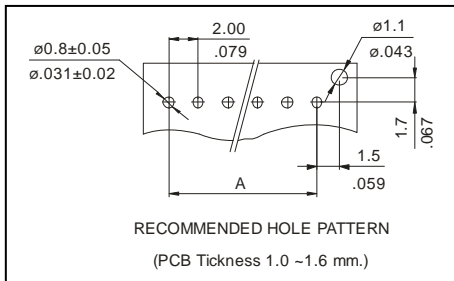
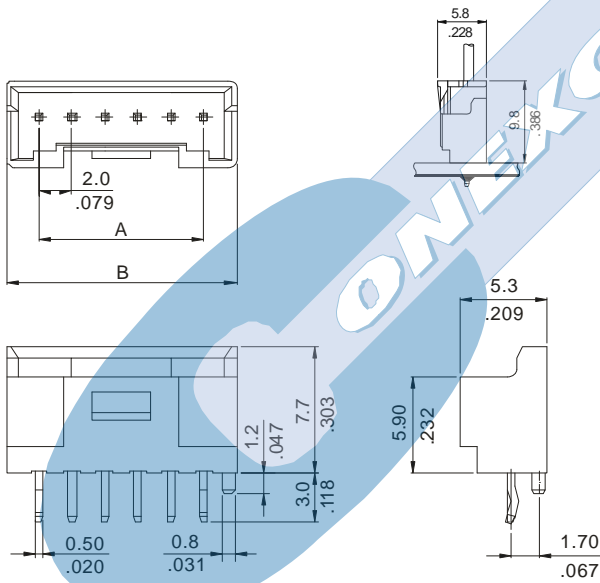
### General Features

- Available in 2 through 16 circuits
- Mates with 2.00 mm. pitch crimp housing 1985 series
- Tin plated round pin 0.50 mm.
- Fully shrouded with polarized slot

### Materials

- Insulator: PBT UL 94 V-0
- Contact: Tin plated brass
- Operating temperature: -25°C to +85°C
- RoHS compliant

### Dimension Information

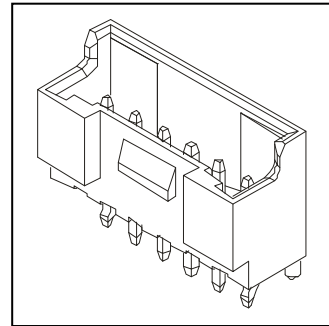


### Electrical Features

- Voltage rating: < 250V
- Current rating: < 3 A
- Contact resistance: < 20 mΩ
- Dielectric withstanding voltage: 800 V AC/minute
- Insulation resistance: >1000 MΩ

### Mechanical Features

- Pin retention force to insulator: > 1.00 Kgf
- Durability: 25 cycles



### Ordering Information:

**1986 - 2- XX- P**  
 1                          3                          4

#### 1. Connector Series

#### 3. (XX) Number of circuits

- Available in 2 through 16 circuits

#### 4. (P) Fixing Post

- P = 2. With fixing post

Dimensions: (In mm.)

A = 2.00 x (XX\*-1)

B = 2.00 x (XX\*)+2.00

\* XX (Number of circuits)