

SINGLE ROW SIDE ENTRY HEADER



1987 SERIES. 2.00 mm. (0.079") pitch.

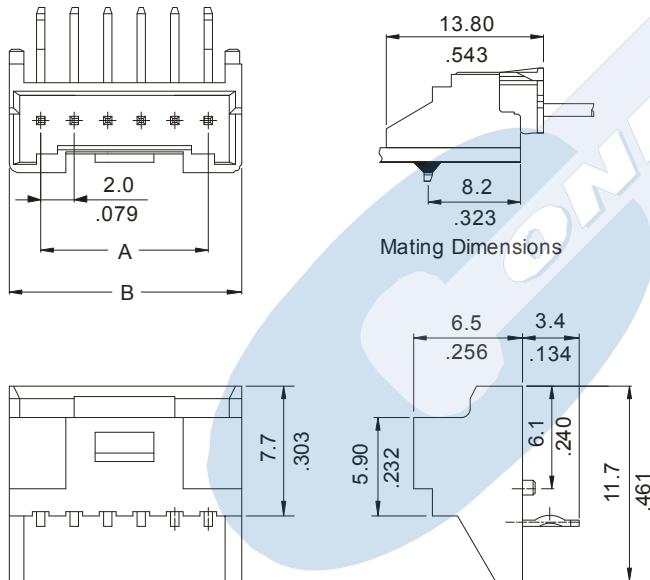
General Features

- Available in 2 through 16 circuits
- Mates with 2.00 mm. pitch crimp housing 1985 series
- Tin plated round pin 0.50 mm.
- Fully shrouded with polarized slot

Materials

- Insulator: PBT UL 94 V-0
- Contact: Tin plated brass
- Operating temperature: -25°C to +85°C
- RoHS compliant

Dimension Information

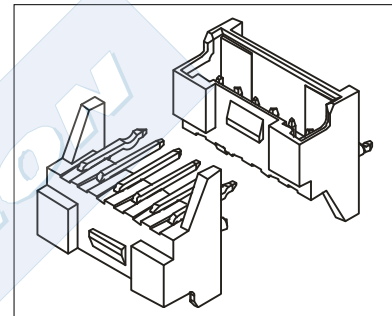


Electrical Features

- Voltage rating: < 250V
- Current rating: < 3 A
- Contact resistance: < 20 mΩ
- Dielectric withstanding voltage: 800 V AC/minute
- Insulation resistance: >1000 MΩ

Mechanical Features

- Pin retention force to insulator: > 1.00 Kgf
- Durability: 25 cycles



Ordering Information:

1987 - 2- XX- P

1 3 4

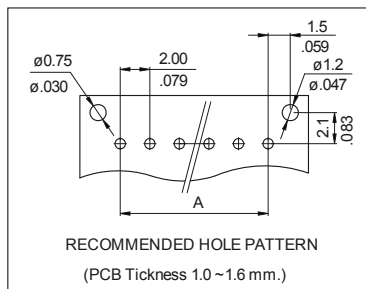
1. Connector Series

3. (XX) Number of circuits

- Available in 2 through 16 circuits

4. (P) Fixing Post

- P = 1. Without fixing post
- P = 2. With fixing post



Dimensions: (In mm.)

A = 2.00 x (XX*-1)

B = 2.00 x (XX*)+2.00

* XX (Number of circuits)