

DUAL ROW IN LINE ENTRY IDC CONNECTOR



2355 SERIES. 2.54 mm. (0.100") pitch.

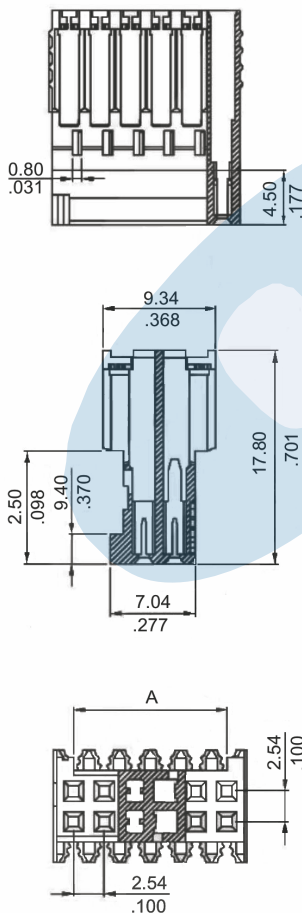
General Features

- Available in 4 through 40 circuits
- Mates with 2.54 mm pin headers 2347 and 2348 series
- Wires range : 24 AWG to 28 AWG O.D máx. 1.50 mm
- Twin insulation displacement slot
- In line entry wires

Materials

- Insulator: Nylon 66. UL 94 V-0
- Contact: Brass
- Operating temperature: -25°C to +85°C
- RoHS compliant

Dimension Information

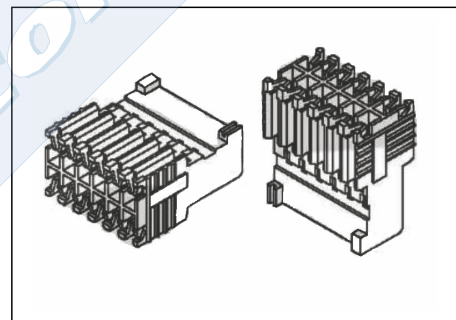


Electrical Features

- Voltage rating: < 250V
- Current rating: < 3 A
- Contact resistance: < 20 mΩ
- Dielectric withstanding voltage: 1000 V AC/minute
- Insulation resistance: >1000 MΩ

Mechanical Features

- Durability: 25 cycles



Ordering Information:

2355 - T- XX- C
1 2 3 4

1. Connector Series

2. (T) Contact Plating

- T = 2. Tin plated

3. (XX) Number of circuits

- Available in 4 through 40 circuits

4. (C) AWG Cable

- C = 1. 24-26 AWG
- C = 2. 26-28 AWG

Dimensions: (In mm.)

A = 2.54 x (XX)

* XX (Number of circuits)