

SINGLE ROW SIDE ENTRY SMT HEADER



2367 SERIES. 2.54 mm. (0.100") pitch.

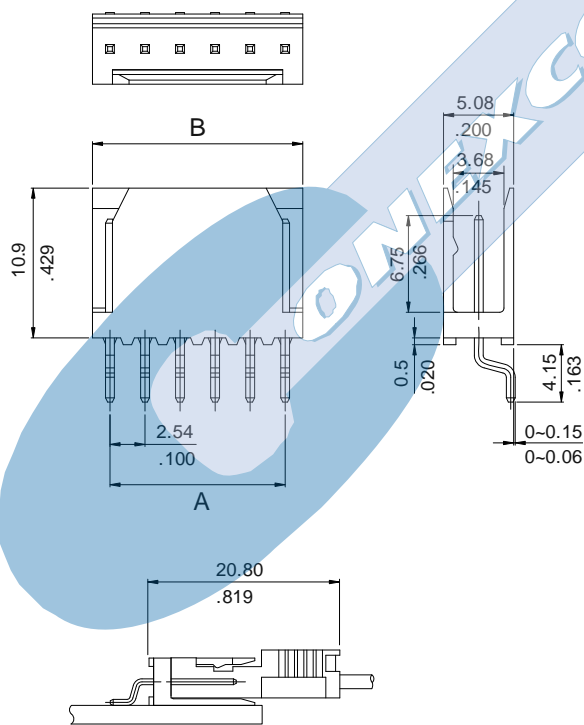
General Features

- Available in 2 through 16 circuits
- Mates with 2.54 mm crimp housing 2349 series and IDC Connectors 2344, 2364 and 2365 series
- Tin plated 0.64 mm square pin
- Fully shrouded with friction lock

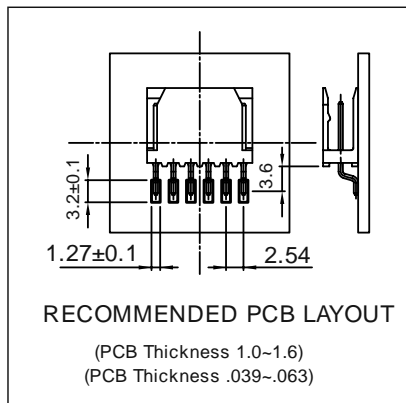
Materials

- Insulator: Nylon 66. UL 94 V-2
- Contact: Tin plated brass
- Operating temperature: -25°C to +85°C
- RoHS compliant

Dimension Information



Mating Dimensions

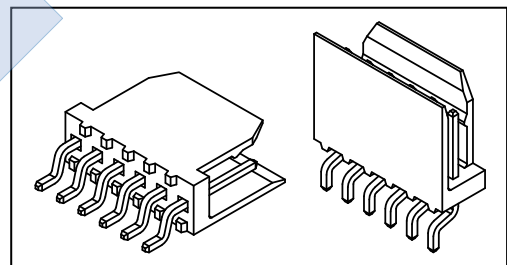


Electrical Features

- Voltage rating: < 250V
- Current rating: < 3 A
- Contact resistance: < 20 mΩ
- Dielectric withstanding voltage: 1000 V AC/minute
- Insulation resistance: >1000 MΩ

Mechanical Features

- Pin retention force to insulator: > 1.0 Kgf
- Durability: 25 cycles



Ordering Information:

2367 - T- XX- 1
1 2 3 4

1. Connector Series

2. (T) Contact Plating

- T = 2. Tin plated
- T = 3. Gold flash over nickel
Recommended Finish
- T = 5. 15μ" gold over nickel
- T = 6. 30μ" gold over nickel

3. (XX) Number of circuits

- Available in 2 through 16 circuits

Dimensions: (In mm.)

- A = 2.54 x (XX)
- B = 2.54 x (XX*-1)
- * XX (Number of circuits)