

QUICK-FIT CONNECTOR



5540 SERIES. Pitch 2.54, 5.08, 7.62, 10.16 and 12.70 mm.

General Features

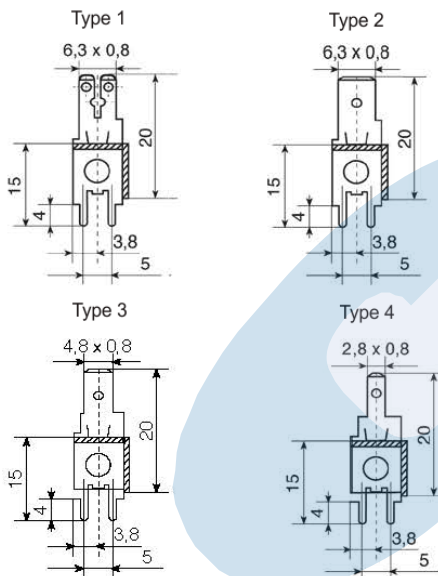
- Available in 2 through 20 circuits
- Allow wire to PCB connections
- Mates with faston 2.8, 4.8 and 6.35 mm.
- 1.30 mm. diameter hole pattern in PCB

Materials

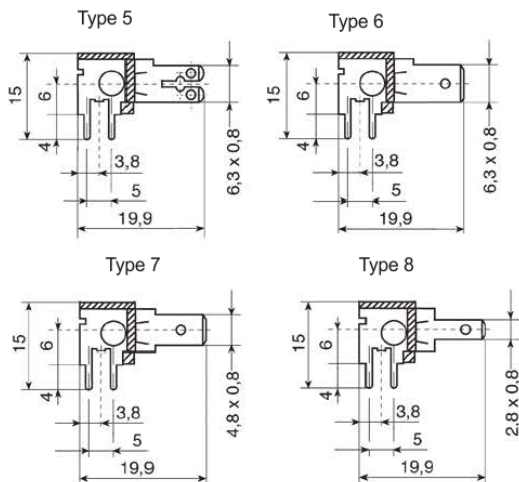
- Insulator: PA 6/6 GF 40% / FMS 336 UL 94 V-0
- Contact: Brass
- Operating temperature. -40°C to + 85°C
- RoHS compliant

Dimensional Information

Straight



Right Angle

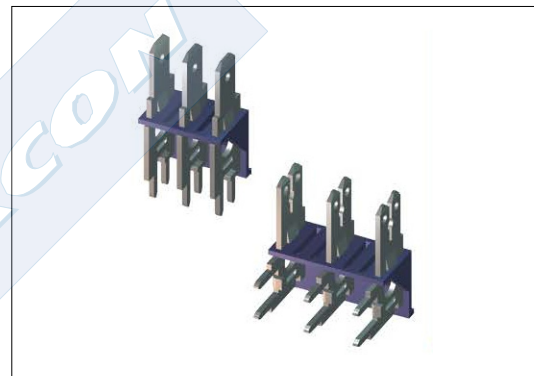


Electrical Features

- Voltage rating : < 230 V
- Current rating: < 15 A
- Contact resistance: < 20 mΩ

Mechanical Features

- Durability: 25 cycles



Part Number:

5540 - 2- XX- P- C
 1 2 3 4 5

1. Connector series

2. (T) Plating Options

3. (XX) Number of circuits

- Available in X through XX circuits

4. (P) Pitch of connector

- P = 1. 2.54 mm.
- P = 2. 5.08 mm.
- P = 3. 7.62 mm.
- P = 4. 10.16 mm.
- P = 5. 12.70 mm.

5. (C) Type and dimensions of terminal

- C = 1. Type 1 (Straight)
- C = 2. Type 2 (Straight)
- C = 3. Type 3 (Straight)
- C = 4. Type 4 (Straight)
- C = 5. Type 5 (Right Angle)
- C = 6. Type 6 (Right Angle)
- C = 7. Type 7 (Right Angle)
- C = 8. Type 8 (Right Angle)