

MINI HDMI CONNECTOR RIGHT ANGLE SMT



5655 SERIES. Mini HDMI Connector.

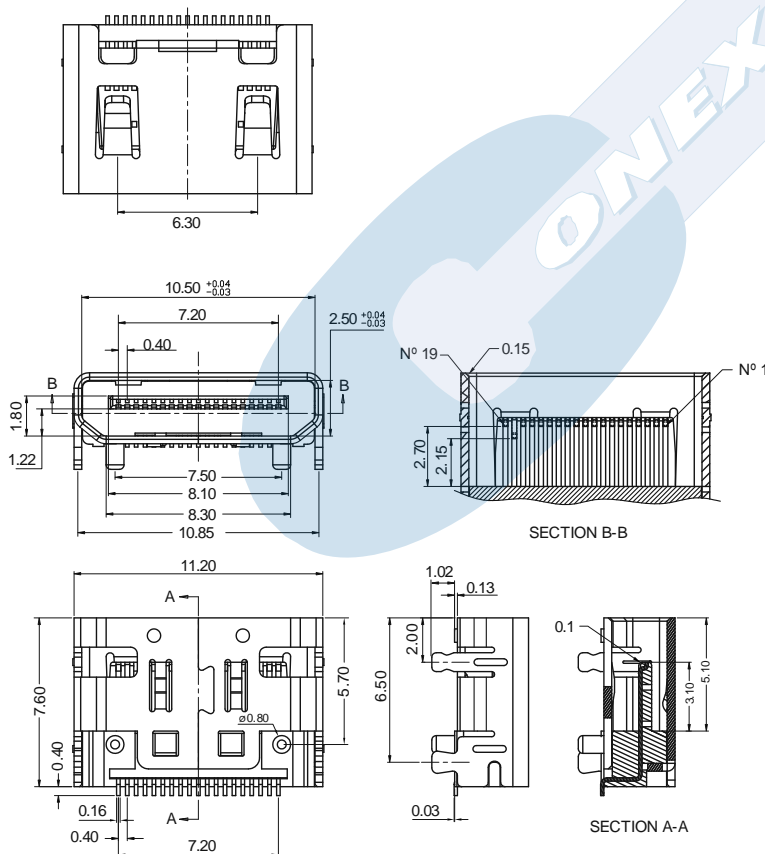
General Features

- Standard mini HDMI dimensions
- Contact area: different gold plating over 50 U nickel
- Solder area: tin plating over 50 U nickel
- Trough hole fixing tabs
- Stand-off: 0 mm.

Materials

- Insulator: LCP+35% GF UL 94 V-0
- Shell: Brass thickness 0.50 mm
- Contact: Brass thickness 0.25 mm
- Operating temperature: -25°C to +85°C
- RoHS compliant

Dimensional Information



Electrical Features

- Voltage rating: < 40 V
- Current rating: < 0.50 A
- Contact resistance: < 60 mΩ
- Dielectric withstanding voltage: 300 V AC/minute
- Insulation resistance: >100 MΩ

Mechanical Features

- Insertion force: Insertion 4 Kgf maximum
- Extraction force: 0.70 Kgf minimum
- Durability: 100 cycles



5655 - T- 19- 1

1 2 3

1. Series

2. Plating Options

- T = 15. 15μ" Selec. gold over nickel
Recommended Finish

3. Number of circuits

- Available in 19 circuits

