

RoHS COMPLIANT

| REVISIONS | | | | |
|-----------|---------|-------------|-------------|------|
| REV | ECN NO. | DESCRIPTION | APPROVED BY | DATE |
| | | | | |

Product Specification

Material

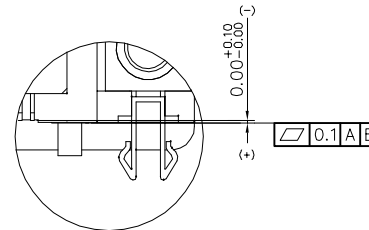
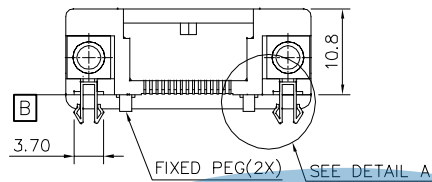
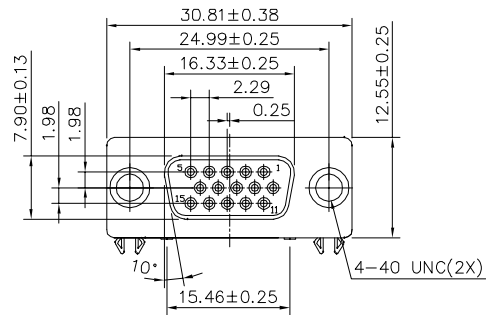
Insulator :Glass-Filled Thermoplastic PBT,UL94V-0 rates
 Contact :Brass or Phosphor Bronze
 Shell : Steel, 100u" Tin Over 50u" min Copper
 Clinch Nut: Brass, 100u" min Nickel Plated.
 Boardlock :Brass, 100u" min Tin Plated.

Electrical

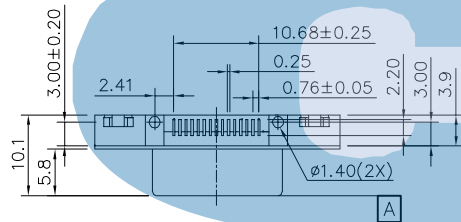
Contact Resistance :30 milliohms
 Max at 1 AMP DC.
 Insulation Resistance :1000
 megohms at 500 VDC
 Dielectric Withstanding Voltage :
 1000 VAC/rms 60Hz for 1 minute
 Current Rating :3 AMP
 Volatge Rating :250 VAC/rms 60Hz

Ordering Information

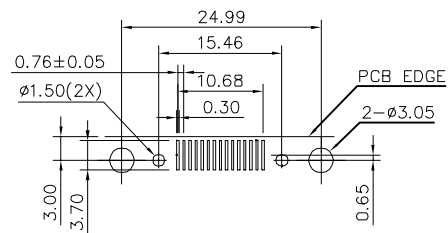
Part Number: 8079-3153



DETAIL A
 SCALE 2:1
 Snap-in boardlock


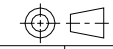


ONEXCON



PIN NUMBER:
 6 11 1 7 12 2 8 13 3 9 14 4 10 15 5
 15 PIN RECOMMENDED PCB LAYOUT

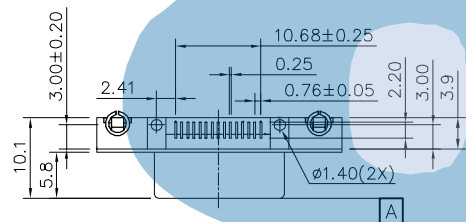
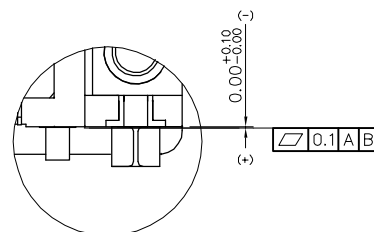
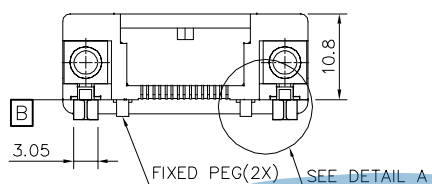
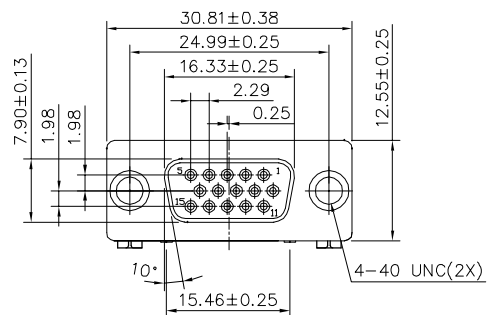
DO NOT SCALE DRAWING

| | | | | | | |
|---|--|---|----------|---|--|---|
| DIMENSIONS: <input type="checkbox"/> MM [INCH] <input type="checkbox"/> INCH [mm] <input checked="" type="checkbox"/> MM ONLY | | CAD GENERATED DRAWING, DO NOT MANUALLY UPDATE DRAWN BY AND DATE JACK HONG 24-04-08 | |  | | |
| UNLESS OTHERWISE SPECIFIED, GENERAL TOLERANCE: DECIMALS ANGLES .X ±0.38 [0.015] X° ±3° .X ±0.25 [0.010] .X° ±1.0° .XX ±0.13 [0.005] | | CHECKED BY AND DATE JUSTIN XING 24-04-08 APPROVED BY AND DATE MICHAEL HUANG 24-04-08 THIRD ANGLE PROJECTION | | | | TITLE 168 SERIES D-SUB H.D. SMT CONNECTOR |
| MATERIAL | |  | | DRAWING NO. 8079 Series | | REV A |
| FINISH | | SCALE: NONE | SIZE: A3 | FILE NO.: | | SHEET 1 OF 1 |

THE INFORMATION CONTAINED IN THIS DOCUMENT IS PROPRIETARY TO Y-S ELECTRONIC. ANY REPRODUCTION IN PART OR WHOLE WITHOUT PRIOR WRITTEN APPROVAL OR AUTHORIZATION OF Y-S ELECTRONIC IS STRICTLY PROHIBITED.

RoHS COMPLIANT

| REVISIONS | | | | |
|-----------|---------|-------------|-------------|------|
| REV | ECN NO. | DESCRIPTION | APPROVED BY | DATE |
| | | | | |



DETAIL A
SCALE 2:1
Snap-in boardlock

Product Specification

Material

Insulator :Glass-Filled Thermoplastic PBT,UL94V-0 rates
Contact :Brass or Phosphor Bronze
Shell : Steel, 100u' Tin Over 50u' min Copper
Clinch Nut: Brass, 100u' min Nickel Plated.
Boardlock :Brass, 100u' min Tin Plated.

Electrical

Contact Resistance :30 milliohms
Max at 1 AMP DC.
Insulation Resistance :1000
megohms at 500 VDC
Dielectric Withstanding Voltage :
1000 VAC/rms 60Hz for 1 minute
Current Rating :3 AMP
Voltage Rating :250 VAC/rms 60Hz

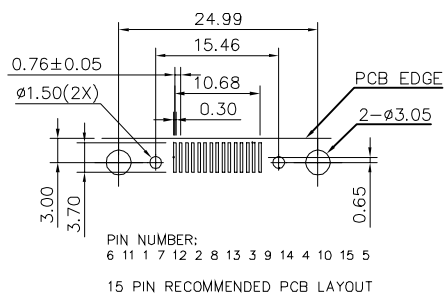
Ordering Information

168 - $\frac{XX}{a}$ $\frac{X}{b}$ $\frac{X}{c}$ $\frac{X}{d}$ $\frac{X}{e}$ $\frac{X}{f}$ $\frac{X}{g}$

- a. No. Of Pins
15: 15 positions
- b. Contact Type
1: Male
2: Female
- c. Contact Plating
0: gold
Flash selective gold
1: 15u' selective gold on contact
2: 30u' selective gold on contact
- d. Shell Plating
1: Nickel(standard)
2: Tin
3: Chromated
- e. Insulator Color
1: Blue
2: Black (Standard)
- f. Rivetting Options:
1: Snap-in boardlock
2: Press-in boardlock
- g. Flange Mounting Option
1: #4-40 threaded hole with #4-40 unc screwlock installed
2: #4-40 threaded hole with #4-40 unc screwlock bulk-packed
3: #4-40 threaded hole

ONEXCON

DO NOT SCALE DRAWING



| | | |
|--|---|--|
| DIMENSIONS: <input type="checkbox"/> MM [INCH] <input type="checkbox"/> INCH [mm] <input checked="" type="checkbox"/> MM ONLY | CAD GENERATED DRAWING, DO NOT MANUALLY UPDATE DRAWN BY AND DATE JACK HONG 24-04-08 | Y-S ELECTRONIC CO., LTD. No. 101, Sec. 1, Long-An Street, Lu-Chu, Taoyuan, Taiwan, R.O.C. TEL: +886-3-3609819 FAX: +886-3-3609817 |
| | | |
| MATERIAL FINISH | CHECKED BY AND DATE JUSTIN XING 24-04-08 APPROVED BY AND DATE MICHAEL HUANG 24-04-08 THIRD ANGLE PROJECTION | TITLE 168 SERIES D-SUB H.D. SMT CONNECTOR |
| SCALE: NONE | SIZE: A3 | DRAWING NO. 168-152XXX2X |
| FILE NO.: | | REV A |
| SHEET 1 OF 1 | | SHEET 1 OF 1 |