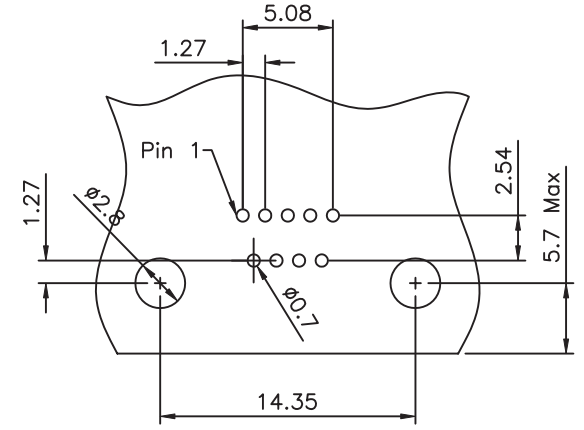
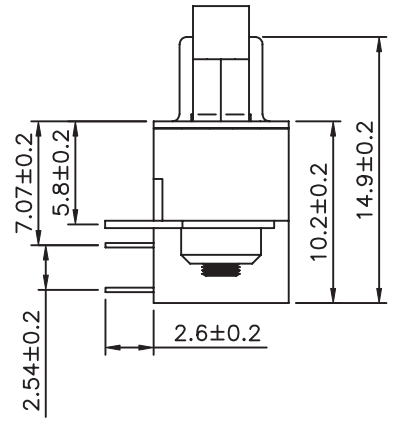
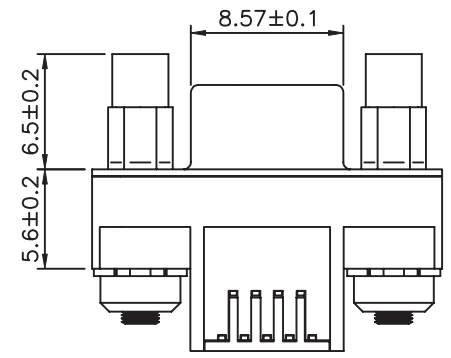
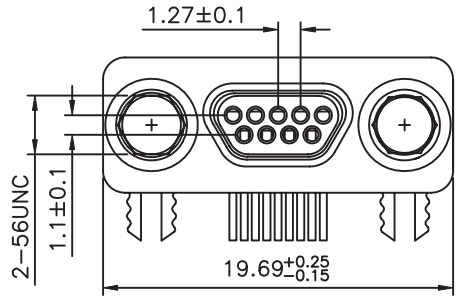
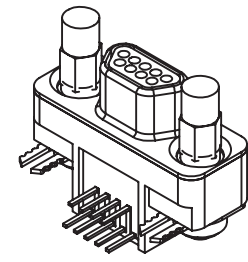
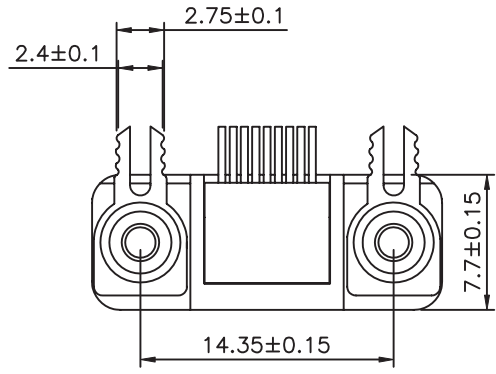


SPECIFICATIONS

Contact Current Rating:1Amp
 Dielectric Withstanding Voltage:500V AC
 Insulation Resistance:1000Megohms Min
 Contact Resistance:45Milliohms Max
 Operation Temperature:-55°C~+85°C
 Insulator:Thermoplastic,UL94V-0
 Shell: Cold Roller Steel
 Bright Tin Over Copper
 Contacts:Copper Alloy
 15u" Min Gold On Mating End
 Tin On Termination End
 All Underplated Nickel
 RoHS Compliant



Recommended PC Board Layout
 (9 Position Only)Tolerance:±0.05



8165 Series



CATEGORY		APPROVED BY		UNLESS OTHERWISE SPECIFIED TOLERANCES ARE X. ±0.25 .X ±0.2 .XX ±0.15 ANG.				
PART No. 8165-5091		MEI						
DRAWING No.		HZF						
SCALE NONE		DRAWING BY		UNIT mm	BO	NEW RELEASE	HZF	10/25/2008
REV.	BO		PEGA					
					NO.REV.	REVISIONS	CHK	DATE