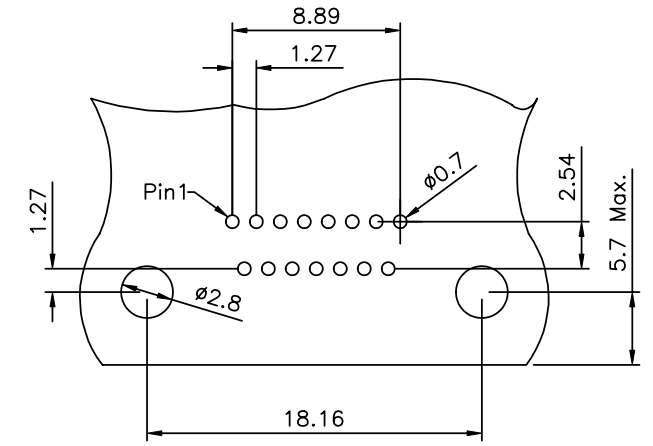
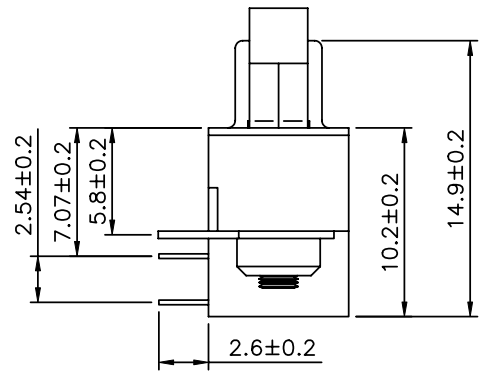
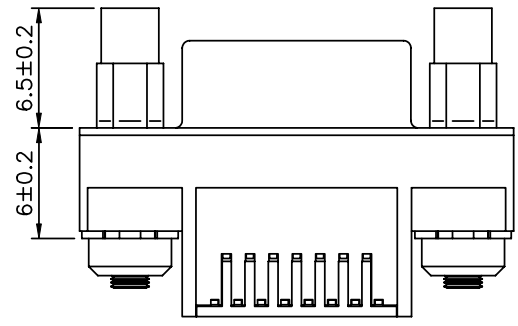
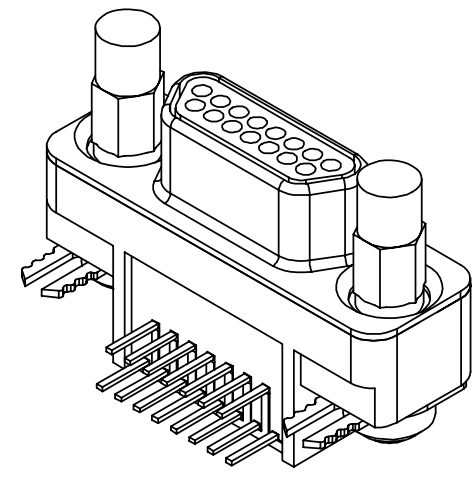
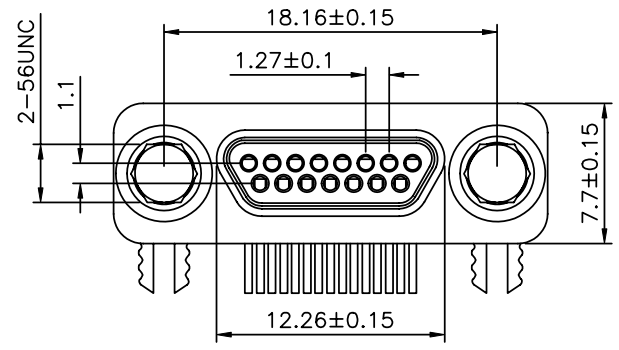
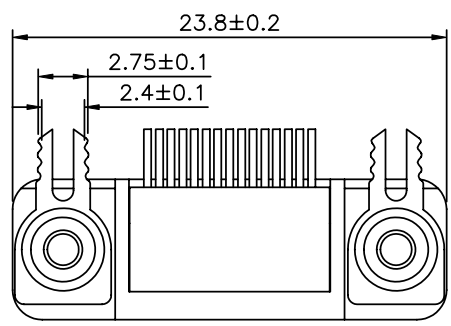


SPECIFICATION
 Contact Current Rating:1Amp
 Dielectric Withstanding Voltage:500V AC
 Contact Resistance:45 Milliohms Max.
 Insulation Resistance:1000 Megaohms Min.
 Operation Temperature:-55°C To +85°C
 Contacts:Copper Alloy,Gold Plated On Mating End,
 Tin Plated On Terminal End,All Underplated Nickel
 Insulator:Thermoplastic UL94V-0
 Shell:Cold Roller Steel,Bright Tin Plated Over Copper
 RoHS Compliant



Recommended PC Board Layout
 Tolerance:±0.05



8165 Series



CATEGORY		APPROVED BY		UNLESS OTHERWISE SPECIFIED TOLERANCES ARE				
PART No. 8165-5151		MEI			X.	±0.25		
DRAWING No.		CHECKED BY			.X	±0.2		
		HZF			.XX	±0.15		
DRAWING BY		DRAWING BY		XYH				
SCALE	NONE	REV.	A0	UNIT	mm			
NO.		REV.		REVISIONS				
A0		NEW RELEASE		HZF		12/13/2008		
				CHK		DATE		