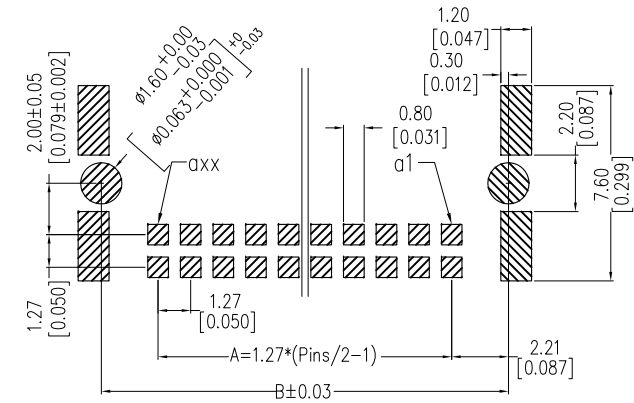
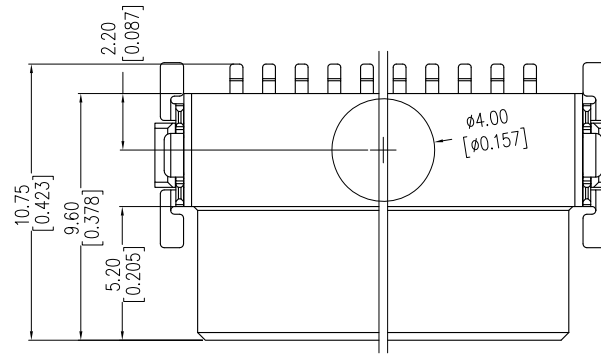


# HSF

NOTES:  
 Rated Current: 1.0 AMP.  
 Contact Resistance: 25mΩ Max.  
 Withstand Voltage: 500V  
 Insulation Resistance: 10000MΩ Min.  
 Operation Temperature: -55°C to +125 °C

Contact Material: Phosphor Bronze  
 Contact Plating: Sn and Au over Ni  
 Tail Material: Phosphor Bronze  
 Tail Plating: Sn over Ni  
 Main Body Material: LCP

Recommended P.C.B Layout(Top Side)  
 (PCB BOARD TOLERANCE±0.05)



**Ordering Information:**

**8715 - T- XX- 1- E**

1 2 3 4

**1. Connector Series**

**2. (T) Contact Plating**

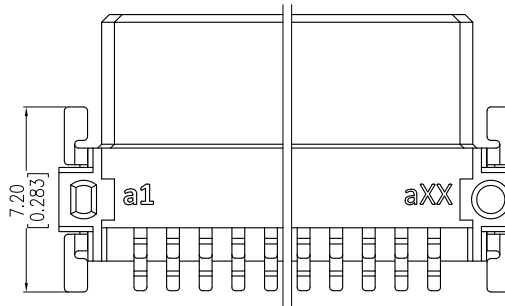
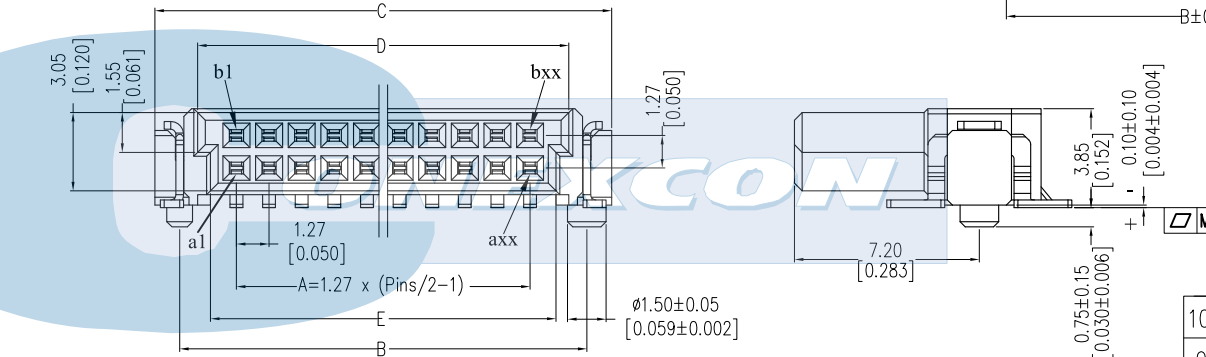
- T = 2. Tin plated
- T = 3. Gold flash over 50μ" Ni
- T = 5. 15μ" gold over 50μ" Ni
- T = 6. 30μ" gold over 50μ" Ni

**3. (XX) Circuit Size**

- Available in 10 through 100 circuits

**4. (E)Packing Options**

- E = 2. PAD + REEL



PIN	M
10~40PIN	0.12
42~100PIN	0.15

100	62.23	66.65	68.58	65.25	64.25
90	55.88	60.30	62.23	58.90	57.90
80	49.53	53.95	55.88	52.55	51.55
70	43.18	47.60	49.53	46.20	45.20
60	36.83	41.25	43.18	39.85	38.85
50	30.48	34.90	36.83	33.50	32.50
40	24.13	28.55	30.48	27.15	26.15
30	17.78	22.20	24.13	20.80	19.80
20	11.43	15.85	17.78	14.45	13.45
10	5.08	9.50	11.43	8.10	7.10
PIN	A	B	C	D	E

OPERATION	DRAW	DATE	SCALE	PART NO.
x.x ±0.40	Ding	2017.05.17	1:1	8715 SERIES
x.xx ±0.25	CHECK	DATE	UNIT mm	
x.xxx ±0.15	APPROVE	DATE	SIZE A4	TITLE: 1.27Pitch CONNECTORS SMC FEMALE "E"TYPE(TYPE Q)
Angle ± 3'			SHEET 1/1	Customer NO.
DIM TOL			PROJ.	



REV	DATE	MODIFICATION DESCRIPTION	CHANGE
AO	2017.05.17	NEW	