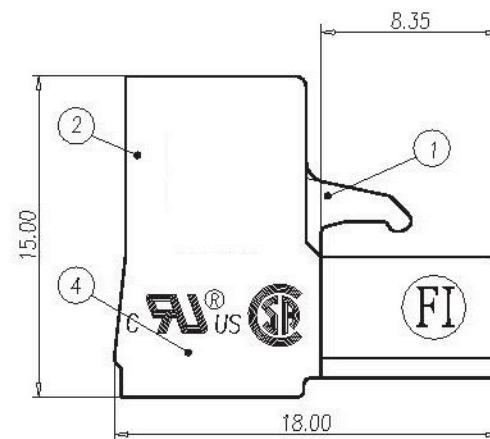
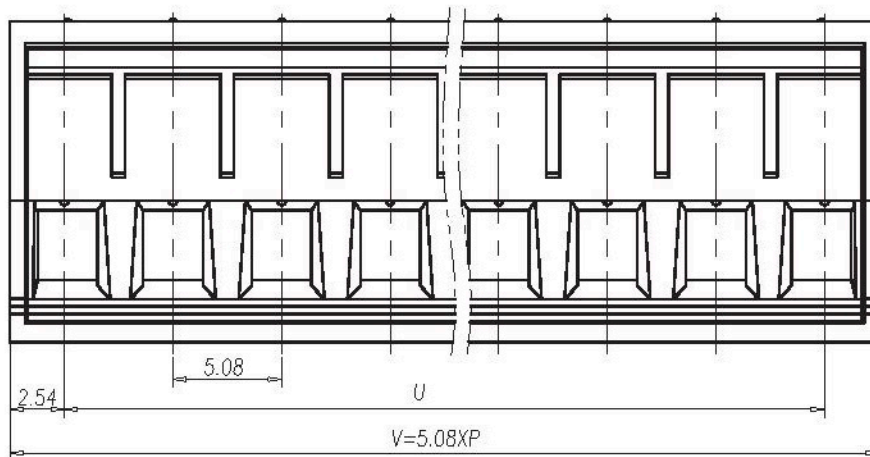
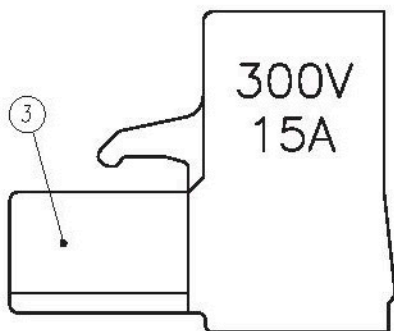


Normal Geometric Tolerancing			
—	//	≡	⊥
0 to 100	0.2	0.3	0 to 10
over 100 to 150	0.3	0.3	over 10
over 150	0.5		0.3
Total Pitch Tolerances		Normal dimension Tolerances	
0<U≤30	±0.20	0~30	±0.25
30<U≤53	±0.25	over 30~53	±0.30
53<U≤70	±0.30	over 53~70	±0.35
70<U≤90	±0.35	over 70~90	±0.44
90<U≤115	±0.44	over 90~115	±0.55
115<U≤150	±0.55	over 115~150	±0.70



NOTES:

1. Rating: 300V 15A(IEC 250V 17.5A)  
PITCH: 5.08mm
2. Insulation Withstands Voltage:  
AC 2000 V at 1 minute
3. Insulation Resistance:  
500MΩ or more at DC500V
4. Using Temperature Range:  
-40°C~+105°C
5. Screw Torque Value:0.51N•m
6. Suitable Electric Wire:  
AWG 28~12( 0.5~2.5mm<sup>2</sup>)
7. RoHS Compliance

P	2	3	4	5	6	7	8	9	10	11	12	13
U	5.08	10.16	15.24	20.32	25.40	30.48	35.56	40.64	45.72	50.80	55.88	60.96
V	10.16	15.24	20.32	25.40	30.48	35.56	40.64	45.72	50.80	55.88	60.96	66.04
P	14	15	16	17	18	19	20	21	22	23	24	25
U	66.04	71.12	76.20	81.28	86.36	91.44	96.52	101.6	106.68	111.76	116.84	121.92
V	71.12	76.20	81.28	86.36	91.44	96.52	101.6	106.68	111.76	116.84	121.92	127.00

5	SCREW	STEEL	Zn Plated M2.5x0.45
4	WIRE CAGE	STEEL	Zn Plated
3	CLAMP	COPPER-ALLOY	Tin Plated
2	SIDE COVER	PA66	UL94-V0 GREEN
1	HOUSING	PA66	UL94-V0 GREEN
ITEM	NAME OF PART	MATERIAL	NOTES

DWG.	ZYJ	DATE	12.05.30	UNITS	MM	SHEET/OF	1/1
CHK.		DATE		SCALE	4:1		
APP.		DATE		NAME	BC2ESDV-XXP		
REV.	CONTENT	CHK.	DATE	DWG NO.	SP-03-2ESDV000		

