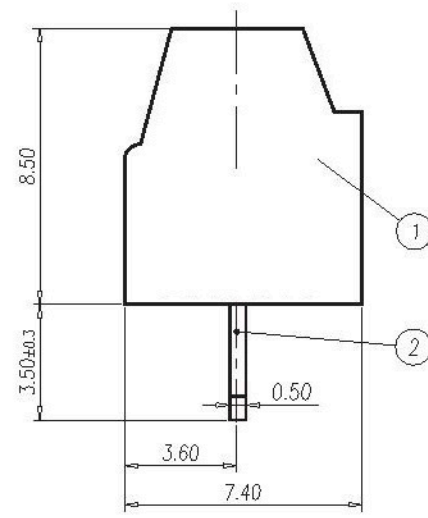
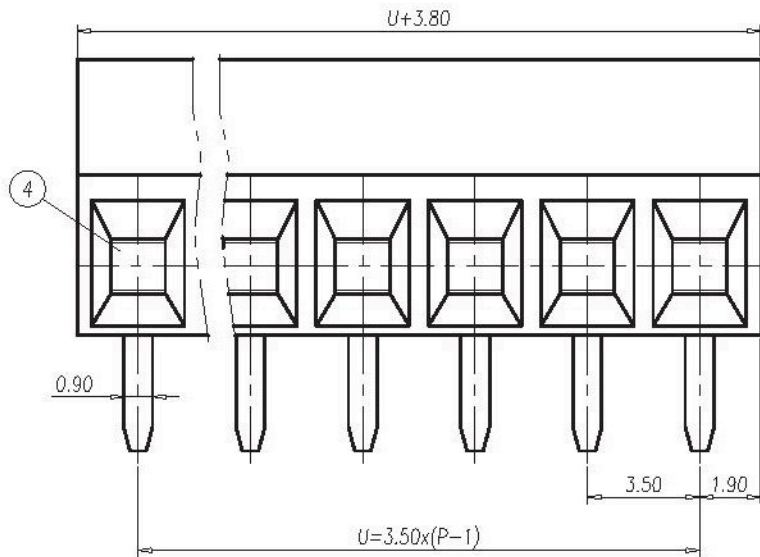


P.C.B. LAYOUT



NOTES:

1. Rating: 300V 10A  
PITCH: 3.50mm
2. Insulation Withstands Voltage:  
AC 2000V at 1 minute.
3. Insulation Resistance:  
500MΩ or more at DC500V
4. Using Temperature Range:  
-40°C~+105°C
5. Screw Torque Value: 0.15N·m
6. Suitable Electric Wire: AWG 30~16
7. RoHS Compliance

Normal Geometric Tolerancing			
—	//	≡	⊥
0 to 100	±0.2	0 to 10	±0.2
over 100 to 150	±0.3	over 10	±0.3
over 150	±0.5		
Total Pitch Tolerances		Normal dimension Tolerances	
0<U≤30	±0.20	0~30	±0.25
30<U≤53	±0.25	over 30~53	±0.30
53<U≤70	±0.30	over 53~70	±0.35
70<U≤90	±0.35	over 70~90	±0.44
90<U≤115	±0.44	over 90~115	±0.55
115<U≤150	±0.55	over 115~150	±0.70
150<U≤200	±0.70	over 150~200	±0.85
200<U≤250	±0.85	over 200~250	±1.00
250<U≤320	±1.00	over 250~320	±1.20

P	2	3	4	5	6	7	8	9	10	11	12
U	3.5	7.0	10.5	14.0	17.5	21	24.5	28.0	31.5	35.0	38.5

P	13	14	15	16	17	18	19	20	21	22	23	24
U	42.0	45.5	49.0	52.5	56.0	59.5	63.0	66.5	70.0	73.5	77.0	80.5

ITEM	NAME OF PART	MATERIAL	NOTES
4	WIRE CAGE	COPPER-ALLOY	Ni Plated
3	SCREW	STEEL	M2/Zn plated
2	SOLDER	COPPER-ALLOY	Tin Plated
1	HOUSING	PA66	UL94-V0 GREEN

DWG.	L. W	DATE	12.11.23	UNITS	MM	SHEET/OF	1 / 1
CHK.		DATE		SCALE	6:1 ( : )		
APP.		DATE		NAME	BCEK350V-XXP		
				DWG NO.	SP-03-EK350V00		

REV.	CONTENT	CHK.	DATE
△			