

IP68 LONG THREAD CABLE GLAND M-LD TYPE



Description:

Thread specifications: Long thread cable gland M-LD type

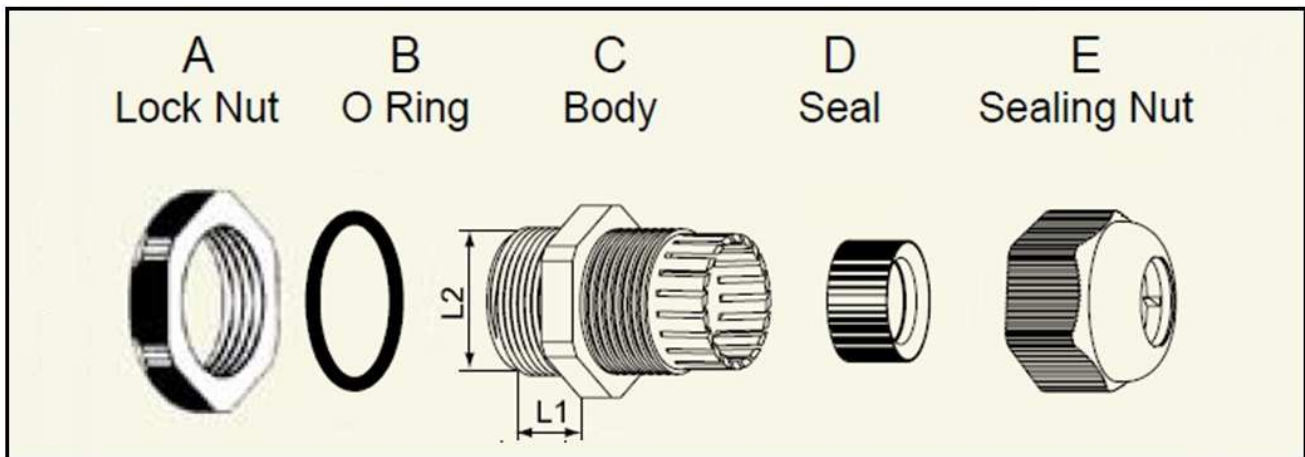
Products Material: A.C.E part made of nylon PA66 (Fire rating UL94V-2)
B and D part adopts NBR rubber

Certified cable gland: UL,CE,TUV,ATEX,RoHS,REACH

Protection Level: IP68

Color type: Black(RAL9005),Light grey(RAL7035)

Working temperature: - 40 °C ~ + 100 °C



P/N	Thread Size	Cable Range (mm)	Thread O.D L2 (mm)	Thread Length L1 (mm)	Spanner Size A&E (mm)
CG-M8-LD	M8×1.25	2.5-4.5	8	15	13/12
CG-M10-LD	M10×1.25	3-6	10	15	15/13
CG-M12-LD	M12×1.5	4-6.5	12	15	17/16
CG-M16-LD	M16×1.5	4.5-8.5	16	15	22/19
CG-M18-LD	M18×1.5	5-10	18	15	24/22
CG-M20-LD	M20×1.5	6-11	20	15	27/24
CG-M22-LD	M22×1.5	8-13	22	15	29/27
CG-M25-LD	M25×1.5	13-18	25	15	33/33
CG-M28-LD	M28×1.5	13-18	28	15	35/33
CG-M32-LD	M32×1.5	16-21	32	15	38/36
CG-M36-LD	M36×1.5	18-25	36	15	45/42
CG-M40-LD	M40×1.5	20-27	40	18	51/46
CG-M46-LD	M46×1.5	23-32	46	18	53/52
CG-M50-LD	M50×1.5	30-38	50	20	61/60
CG-M63-LD	M63×1.5	37-44	63	20	71/68

For Black color, add "BK" at the end of part number
For Grey color, add "GY" at the end of part number