

IP68 CABLE GLAND PG-S TYPE



Description:

Thread specifications: PG thread

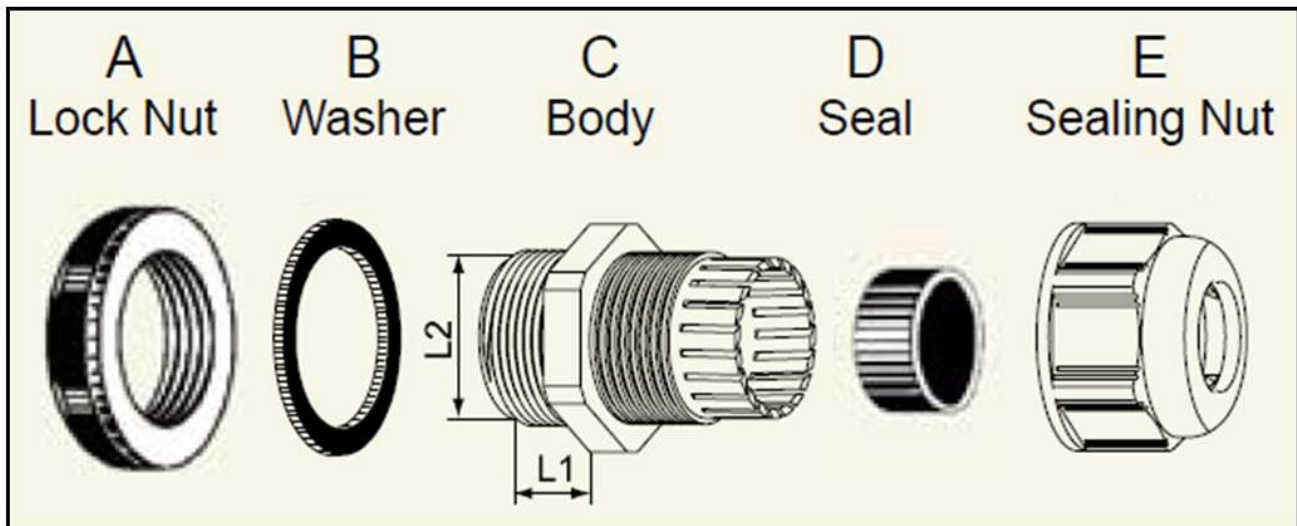
Products Material: A.C.E part made of nylon PA66 (Fire rating UL94V-2)
B and D part adopts NBR rubber

Certified cable gland: UL,CE,TUV,ATEX,RoHS,REACH

Protection Level: IP68

Color type: Black(RAL9005),Light grey(RAL7035),Silver(RAL7001)

Working temperature: - 40 °C ~ + 100 °C



P/N	Thread Size	Cable Range (mm)	Thread O.D L2 (mm)	Thread Length L1 (mm)	Spanner Size A&E (mm)
CG-PG7-S	PG7	3-6.5	12.5	11	19/16
CG-PG9-S	PG9	4.5-8.5	15.2	11	22/19
CG-PG11-S	PG11	5-10	18.6	12	24/22
CG-PG13.5-S	PG13.5	6-11	20.4	13	26/24
CG-PG16-S	PG16	7-13	22.5	13	30/27
CG-PG21-S	PG21	13-18	28.3	16	35/33
CG-PG25-S	PG25	16-21	30	14	37/36
CG-PG29-S	PG29	18-25	37	16	46/42
CG-PG36-S	PG36	23-32	47	17	56/52
CG-PG42-S	PG42	30-38	54	17	65/60
CG-PG48-S	PG48	37-44	59.3	18	69/68

For Black color, add "BK" at the end of part number

For Grey color, add "GY" at the end of part number

For Silver color, add "SR" at the end of part number