

# FLAT CABLE IDC SOCKET



## 1335 SERIES. 1.27 x 1.27 mm. (0.050 x 0.050") pitch.

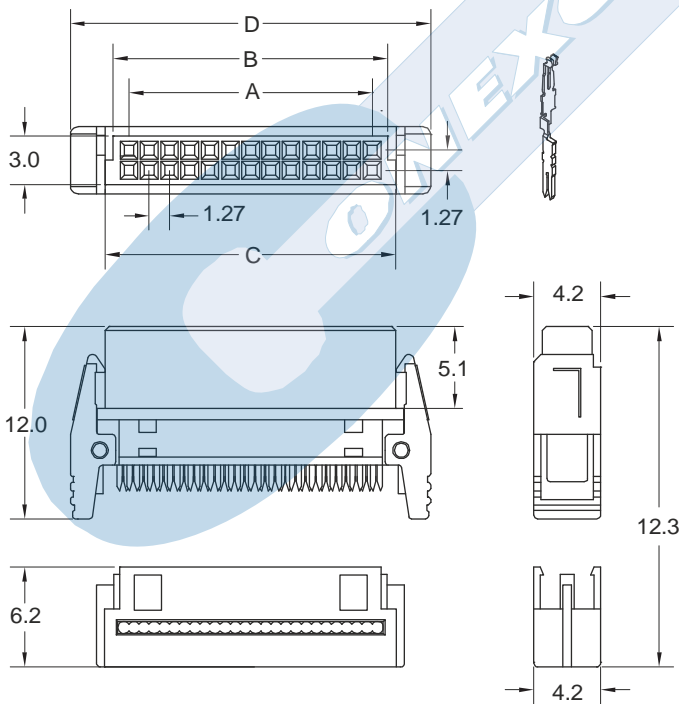
### General Features

- Available in 6, 8, 10, 12, 14, 16, 20, 22, 26, 30, 34, 36, 40, 44, 50, 60, 68 and 80 circuits
- Mates with 1.27 mm pitch pin headers and connectors 1336, 1337 and 1338 series
- Use flat cable 0.635 mm pitch 9063 series
- Bifurcated contact

### Materials

- Insulator: PBT, glass reinforced, rated UL 94V-0
- Terminal: Beryllium cooper
- Operating temperature. -25°C to +85°C
- RoHS compliant

### Dimension Information

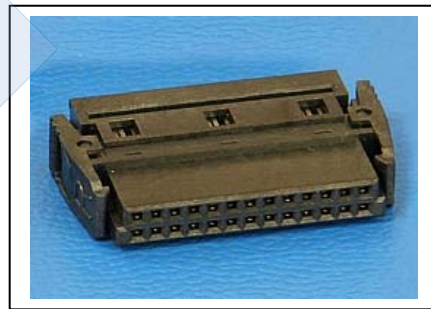


### Electrical Features

- Voltage rating: < 250V
- Current rating: < 1 A
- Contact resistance: < 30 mΩ
- Dielectric withstanding Voltage: 250 V AC/minute
- Insulation resistance: >1000 MΩ

### Mechanical Features

- Durability: 50 Cycles



### Ordering Information:

**1335 - T- XX- 0**  
 1            2            3            4

#### 1. Connector Series

#### 2. (T) Contact Plating

- T = 2. Tin plated
- T = 3. Gold flash over nickel  
Recommended Finish
- T = 5. 15μ" gold over nickel
- T = 6. 30μ" gold over nickel

#### 3. (XX) Number of circuits

- Available in 6 through 80 circuits

### Dimensions: (In mm.)

$$A = 1.27 \left( \frac{XX}{2} - 1 \right) \quad B = 1.27 \left( \frac{XX}{2} \right) + 0.68$$

$$C = 1.27 \left( \frac{XX}{2} \right) + 1.68 \quad D = 1.27 \left( \frac{XX}{2} \right) + 6.04$$

(XX) = Number of circuits