

FLAT CABLE IDC DIP PLUG



1340 SERIES. 1.27 x 1.27 mm. (0.050 x 0.050") pitch.

General Features

- Available in 6, 8, 10, 12, 14, 16, 20, 22, 26, 30, 34, 36, 40, 44, 50, 60, 68 and 80 circuits
- Allows to solder the flat cable to the PCB
- Use flat cable 0.635 mm pitch 9063 series

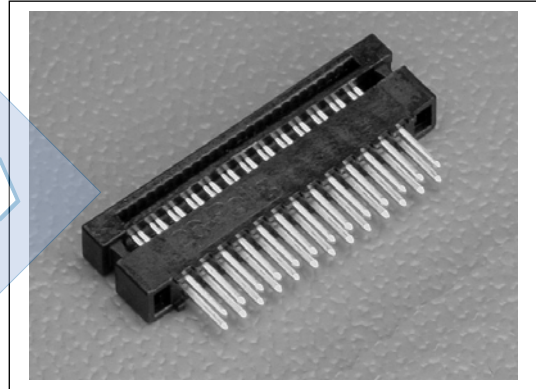
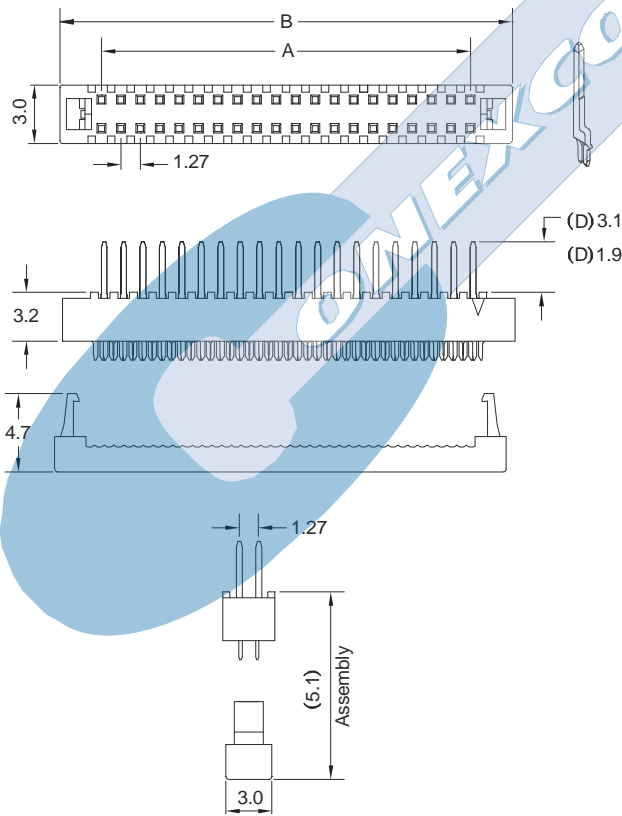
Electrical Features

- Voltage rating: < 250V
- Current rating: < 1 A
- Contact resistance: < 30 mΩ
- Dielectric withstanding Voltage: 250 V AC/minute
- Insulation resistance: >1000 MΩ

Materials

- Insulator: High temperature plastic UL 94V-0
- Terminal: Phosphor bronze
- Operating temperature. -40°C to +105°C
- RoHS compliant

Dimension Information



Ordering Information:

1340 - T- XX- C
 1 2 3 4

1. Connector Series

2. (T) Contact Plating

- T = 2. Tin plated
- T = 3. Gold flash over nickel
Recommended Finish
- T = 5. 15μ" gold over nickel
- T = 6. 30μ" gold over nickel

3. (XX) Number of circuits

- Available in 6 through 80 circuits

4. (C) Connector Options

- C=1. Dimension D = 3.10 mm.
- C=2. Dimension D = 1.90 mm.

Dimensions: (In mm.)

$$A = 1.27 \left(\frac{XX}{2} - 1 \right) \quad B = 1.27 \left(\frac{XX}{2} \right) + 4.20$$

(XX) = Number of circuits

