

# BOARD TO BOARD SIDE ENTRY CONNECTOR



## 1508 SERIES. 5.08 mm (0.200") pitch.

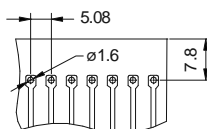
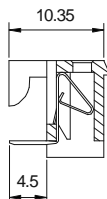
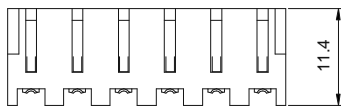
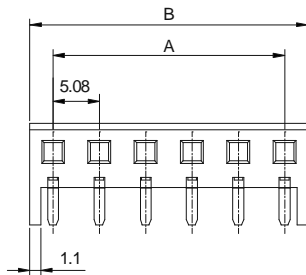
### General Features

- Available in 2 through 20 circuits
- Mates with 5.08 mm pin header 1.14 mm square/round pin 5086, 5087, 5088, 5084, 5082, 5083, 5071, 5072 and 5075 series
- Flex contact PCB female terminal

### Materials

- Insulator: Nylon 66 UL 94 V-2
- Terminal: Tin plated brass
- Operating temperature: -40°C to +105°C
- RoHS compliant

### Dimension Information



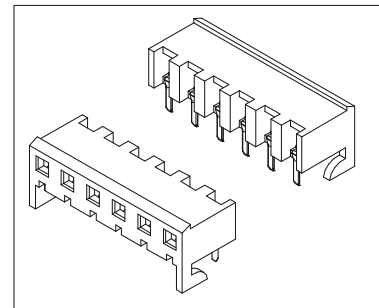
RECOMMENDED PCB LAYOUT  
(PCB Thickness = 1.0~1.6 mm.)

### Electrical Features

- Voltage rating: < 250V
- Current rating: < 5 A
- Contact resistance: < 20 mΩ
- Dielectric withstanding voltage: 1500 V AC/minute
- Insulation resistance: >1000 MΩ

### Mechanical Features

- Contact retention force to insulator: > 1.00 Kgf
- Insertion force to header: < 1.00 Kgf/pin
- Withdrawal force from header: < 0.15 Kgf/pin
- Durability: 25 cycles



### Ordering Information:

**1508 - 2- XX- 1**  
1            2            3

1. Connector Series

3. (XX) Number of circuits

- Available in 2 through 20 circuits

Dimensions: (In mm.)

A = 5.08 x (XX\*-1)

B = 5.08 x (XX)

\* XX (Number of circuits)