

D/ ROW SIDE ENTRY HEADER EJECT LATCH



1552 SERIES. 1.27 x 2.54 mm. (0.050 x 0.100") pitch.

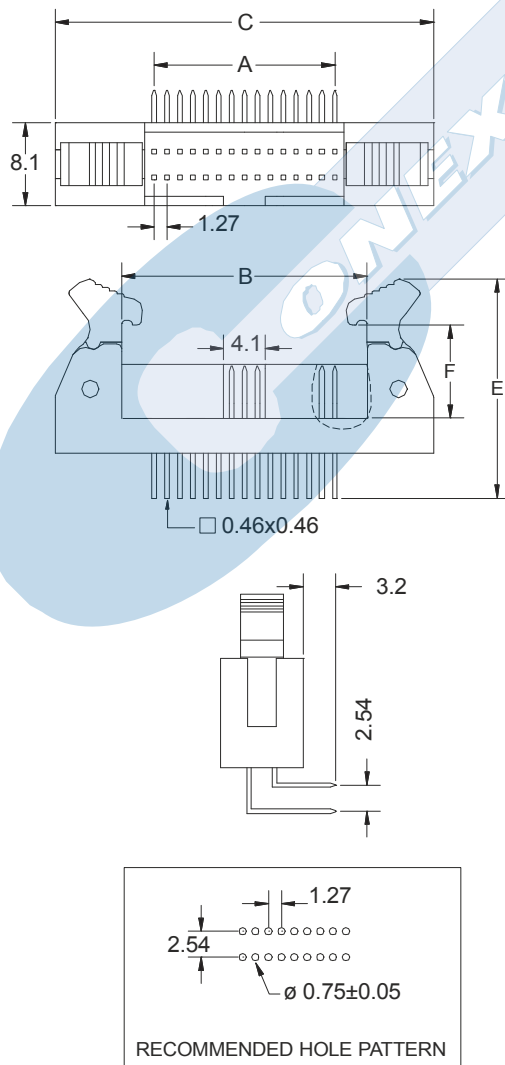
General Features

- Available in 10, 20, 26, 30, 34, 40, 50, 60, 68, 70, 80, 90 and 100 circuits
- Mates with IDC connectors 1541 series
- Gold plated 0.46 mm square pin (4 rows 1.90 x 2.54)
- Fully shrouded with polarized slot. With eject latch

Materials

- Insulator: LCP, glass reinforced, rated UL 94V-0
- Terminal: Phosphor bronze
- Operating temperature. -25°C to +85°C
- RoHS compliant

Dimension Information



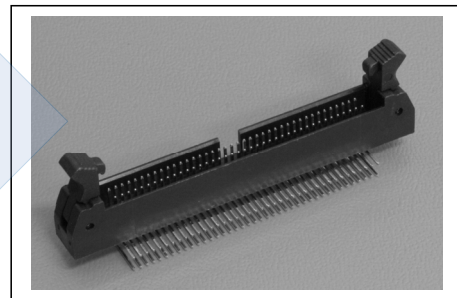
DIMENSIONS	E	F
Short latch	20.00	10.65
Long latch	18.50	8.00

Electrical Features

- Voltage rating: < 250V
- Current rating: < 1 A
- Contact resistance: < 30 m Ω
- Dielectric withstanding Voltage: 250 V AC/minute
- Insulation resistance: >1000 M Ω

Mechanical Features

- Durability: 50 Cycles



Ordering Information:

1552 - T- XX- S
 1 2 3 4

1. Connector Series

2. (T) Contact Plating

- T = 2. Tin plated
- T = 3. Gold flash over nickel
Recommended Finish
- T = 5. 15 μ " gold over nickel
- T = 6. 30 μ " gold over nickel

3. (XX) Number of circuits

- Available in 10 through 100 circuits

4. (S) Latch Type

- S = 1. Short latch
- S = 2. Long latch

Dimensions: (In mm.)

$$A = 1.27 \left(\frac{XX}{2} - 1 \right) \quad B = 1.27 \left(\frac{XX}{2} \right) + 5.11 \quad C = 1.27 \left(\frac{XX}{2} \right) + 18.15$$

(XX) = Number of circuits