

SINGLE ROW SIDE ENTRY HEADER



1982 SERIES. 2.00 mm. (0.079") pitch.

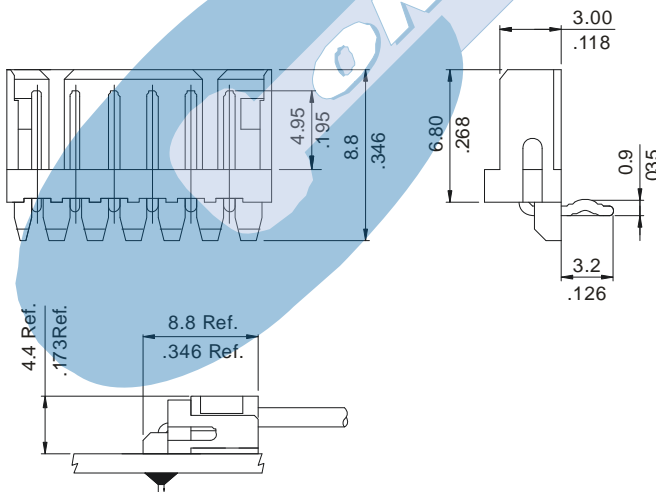
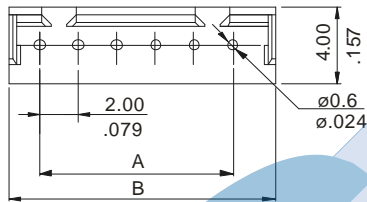
General Features

- Available in 2 through 16 circuits
- Mates with 2.00 mm. pitch crimp housing 1980 series
- Tin plated round pin 0.60 mm.
- Fully shrouded with polarized slot

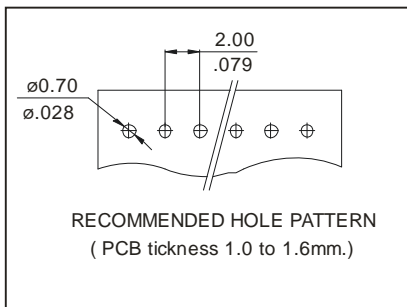
Materials

- Insulator: Nylon 66 UL 94 V-0
- Contact: Tin plated brass
- Operating temperature: -40°C to +105°C
- RoHS compliant

Dimension Information



Mating Dimensions

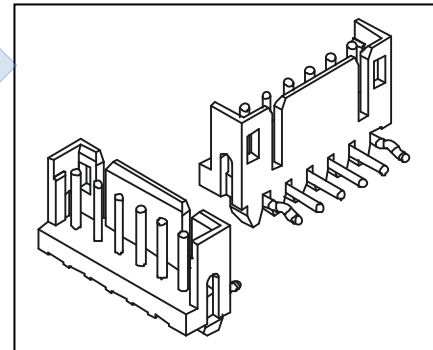


Electrical Features

- Voltage rating: < 250V
- Current rating: < 3 A
- Contact resistance: < 20 mΩ
- Dielectric withstanding voltage: 800 V AC/minute
- Insulation resistance: >1000 MΩ

Mechanical Features

- Pin retention force to insulator: > 1.00 Kgf
- Durability: 25 cycles



Ordering Information:

1982 - 2 - XX - 1
1 3

1. Connector Series

3. (XX) Number of circuits

- Available in 2 through 16 circuits

Dimensions: (In mm.)

A = 2.00 x (XX*-1)

B = 2.00 x (XX*)+2.00

* XX (Number of circuits)