

SINGLE ROW TOP/SIDE ENTRY SMT HEADER



2013 SERIES. 2.00 mm. (0.079") pitch.

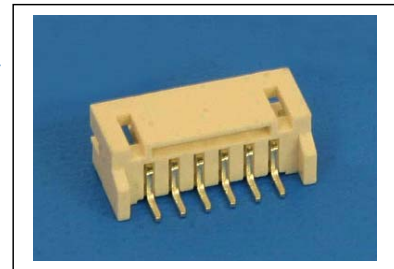
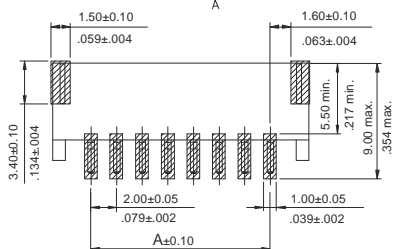
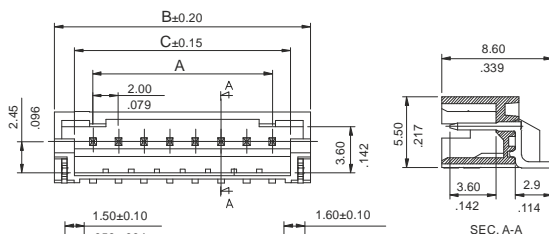
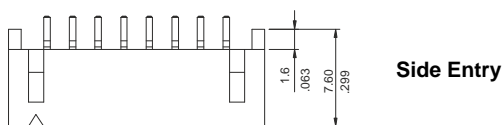
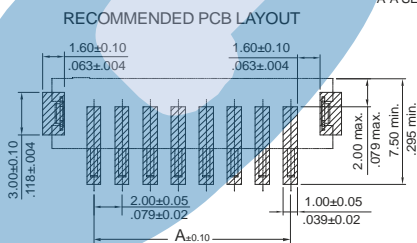
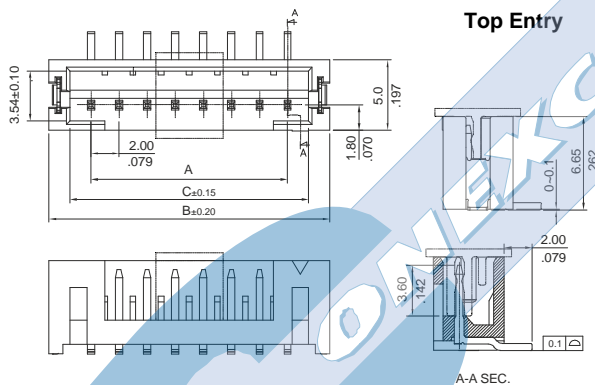
General Features

- Available in 2 through 16 circuits
- Mates with 2.00 mm crimp housing 2010 serie
- Tin plated 0.50 mm square pin
- Fully shrouded with polarized slot

Materials

- Insulator: Nylon 66 UL 94 V-0
- Contact: Tin plated brass
- Operating temperature: -25°C to +105°C
- RoHS Compliant

Dimension Information



2013 - T- XX- V E
1 2 3 4 5

1. Connector Serie

2. (T) Contacts Plating

- T = 2. Tin-plated.
RECOMMENDED FINISH

3. (XX) Number of circuits

- Available in 2 through 16 circuits

4. (V) Connector type

- V = 0. Top Entry
- V = 1. Side Entry

5. (E) Packing Options

- E = 2. Pad + Reel

Dimensions: (In mm.)

A = 2.00 x (XX*-1)

B = 2.00 x (XX*)+4.00

C = 2.00 x (XX*)+1.00

* XX (Number of circuits)