

# FLAT CABLE IDC SOCKET



## 2070 SERIES. 2.00 x 2.00 mm. (0.079 x 0.079") pitch.

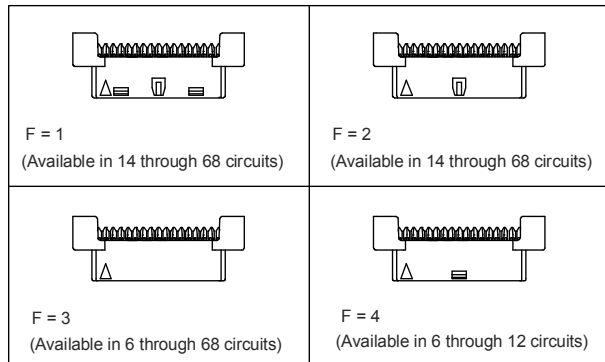
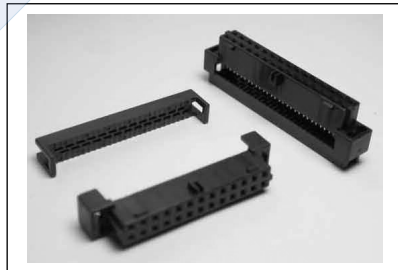
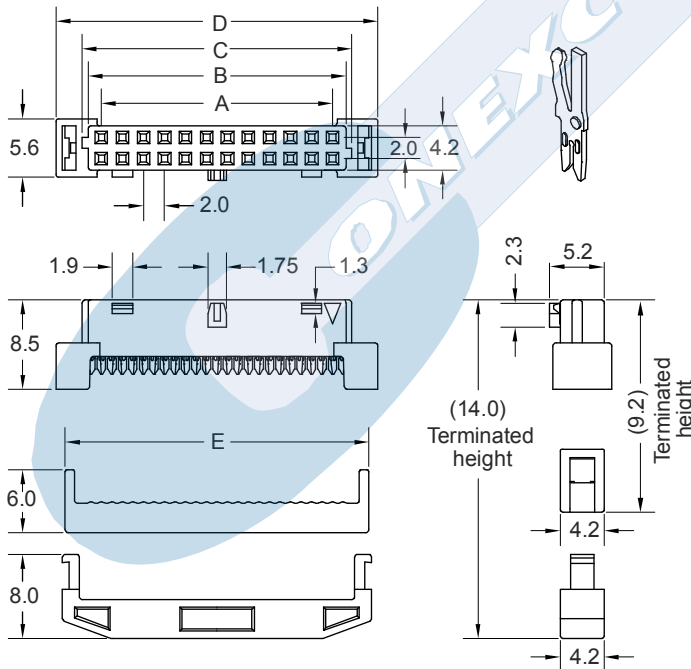
### General Features

- Available in 10, 12, 14, 16, 18, 20, 22, 24, 26, 30, 34, 40, 44, 50 and 68 circuits
- Mates with 2.00 mm pitch pin headers and connectors 2071, 2072 and 2073 series
- Use flat cable 1.00 mm pitch 9100 series
- Insulation outside diameter of wire: 0.85 mm

### Materials

- Insulator: PBT, glass reinforced, rated UL 94V-0
- Terminal: Phosphor bronze
- Operating temperature: -25°C to +85°C
- RoHS compliant

### Dimension Information



### Electrical Features

- Voltage rating: < 250V
- Current rating: < 1 A
- Contact resistance: < 30 mΩ
- Dielectric withstanding Voltage: 500 V AC/minute
- Insulation resistance: >1000 MΩ

### Mechanical Features

- Insertion force to header: < 0.30 Kgf/pin
- Withdrawal force from header: < 0.04 Kgf/pin
- Durability: 50 Cycles

### Ordering Information:

**2070 - T- XX- F**  
 1            2            3            4

#### 1. Connector Series

#### 2. (T) Contact Plating

- T = 2. Tin plated
- T = 3. Gold flash over nickel  
Recommended Finish
- T = 5. 15μ" gold over nickel
- T = 6. 30μ" gold over nickel

#### 3. (XX) Number of circuits

- Available in 14 through 68 circuits

#### 4. (F) Polarizing Options

- F = 1. With bar and ramp locking
- F = 2. With bar only
- F = 3. Without bar/ramp feature
- F = 4. Single ramp locking only

### Dimensions: (In mm.)

$$A = 2.00 \left( \frac{XX}{2} - 1 \right) \quad B = 2.54 \left( \frac{XX}{2} \right) + 0.55 \quad C = 2.54 \left( \frac{XX}{2} \right) + 1.65$$

$$D = 2.54 \left( \frac{XX}{2} \right) + 6.65 \quad E = 2.54 \left( \frac{XX}{2} \right) + 4.90$$

(XX) = Number of circuits