

# SINGLE ROW CRIMP CONNECTOR HOUSING



## 2080 SERIES. 2.00 mm. (0.079") Pitch.

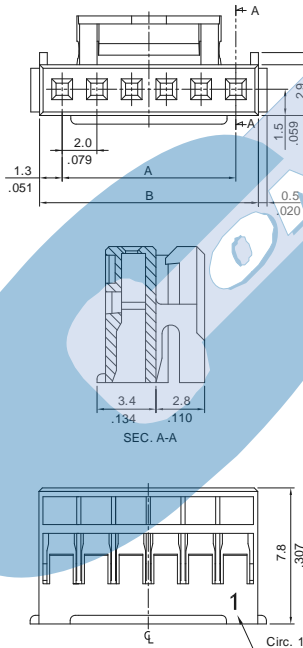
### General Features

- Available in 2 through 16 circuits
- Mates with 2.00 mm pitch 2081, 2082, 2083 headers and 0.50 mm square pin headers
- Low profile positive latch housing
- Use crimp terminal 2084

### Materials

- Insulator: Nylon 6/6 UL 94 V-0
- Operating temperature. -25°C to +85°C
- RoHS compliant

### Dimensional Information



### Electrical Features

- Voltage Rating: < 250 V
- Current Rating: < 2 A
- Contact resistance: < 20 mΩ
- Dielectric withstanding voltage: 800 V AC/minute
- Insulation resistance: >100 MΩ

### Mechanical Features

- Contact insertion force: < 0.60 Kgf
- Contact retention force to the housing: > 1.50 Kgf
- Durability: 25 cycles



**2080 - 2- XX- 1**  
1            2            3

1. Connector Serie

3. (XX) Number of circuits

- Available in 2 through 16 circuits

Dimensions: (in mm.)

A = 2.00 x (XX\*-1)

B = 2.00 x (XX\*)+0.60

\*XX (Number of circuits)