

# SINGLE ROW SIDE ENTRY HEADER



## 2082 SERIES. 2.00 mm. (0.079") pitch.

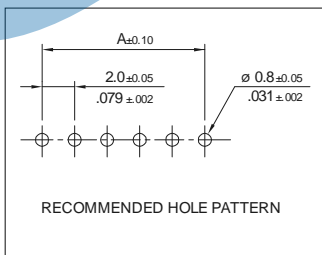
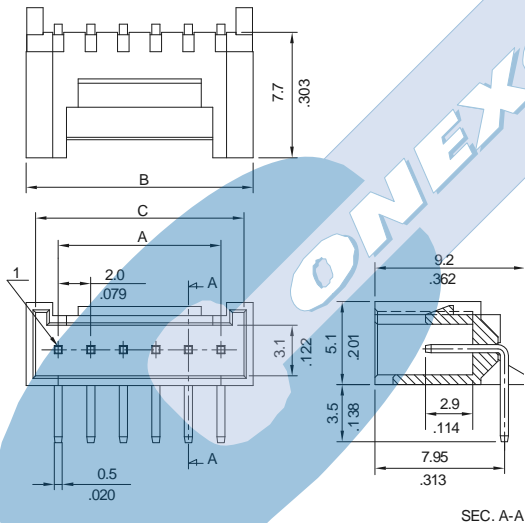
### General Features

- Available in 2 through 16 circuits
- Mates with 2.00 mm crimp housing 2080 serie
- Tin plated 0.50 mm square pin
- Fully shrouded with positive lock

### Materials

- Insulator: Nylon 66 UL 94 V-0
- Contact: Tin plated brass
- Operating temperature: -25°C to +105°C
- RoHS Compliant

### Dimension Information

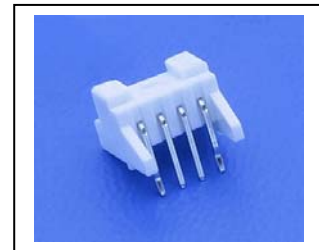


### Electrical Features

- Voltage rating: < 250 V
- Current rating: < 2 A
- Contact resistance: < 20 mΩ
- Dielectric withstanding voltage: 800 V AC/minute
- Insulation Resistance: >100 MΩ

### Mechanical Features

- Pin retention force to insulator: > 1.00 Kgf
- Durability: 25 cycles



**2082 - T- XX- 1**  
 1      2      3      4

1. Connector Serie

2. (T) Contacts Plating

- T = 2. Tin-plated.  
**RECOMMENDED FINISH**

3. (XX) Number Of Contacts

- Available in 2 through 16 circuits

Dimensions: (In mm.)

A = 2.00 x (XX\*-1)  
 B = 2.00 x (XX\*)+1.98  
 C = 2.00 x (XX\*)+0.75

\* XX (Number of circuits)