

# WIRE TO WIRE CRIMP FEMALE HOUSING



## 2260 SERIES. 2.00 mm. (0.079") Pitch.

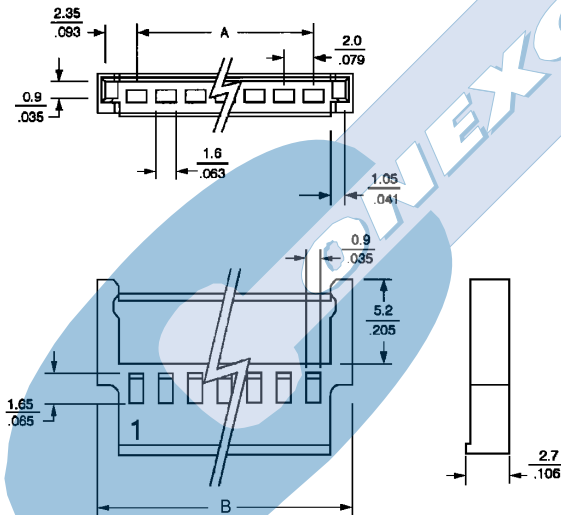
### General Features

- Available in 2 through 10 circuits
- Mates with 2,00 mm pitch 2261 series
- Low profile latch housing
- Use crimp terminal 2262

### Materials

- Insulator: Nylon 94 V-0, colour nature
- Operating temperature. -25°C to +85°C
- RoHS compliant

### Dimensional Information



### Electrical Features

- Voltage rating : < 250 V
- Current rating: < 2 A
- Contact resistance: < 20 m $\Omega$
- Dielectric Withstanding Voltage: 500 V AC/minute
- Insulation Resistance: >1000 M $\Omega$

### Mechanical features

- Contact retention force to the housing: > 1.0 Kgf
- Insertion force to male: < 1.50 Kgf/pin
- Withdraval force from male: < 0.30 Kgf/pin
- Durability: 25 cycles



**2260 - 2- XX- 1**

1                      2                      3

1. Connector Serie

3. (XX) Number Of Contacts

- Available in 2 through 10 circuits

### Dimensions:

$A = 2.00 \times (XX^*-1)$

$B = 2.00 \times (XX) + 4$

\*XX (Number of circuits)