

FEMALE CRIMP TERMINAL



2263 SERIES. 2.00 mm. (0.079") Pitch housing

General Features

- Accommodates wire range AWG 22 through 28
- Use in housing 2.00 mm pitch 2261 series
- Dual beam contact fit in plated male locking lance
- Maximum insulation diameter 1.20 mm (0.047")

Materials

- Contact: Phosphor bronze
- Operating temperature -40°C to +85°C

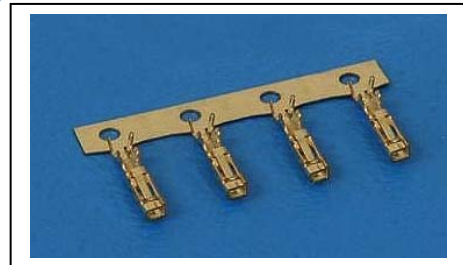
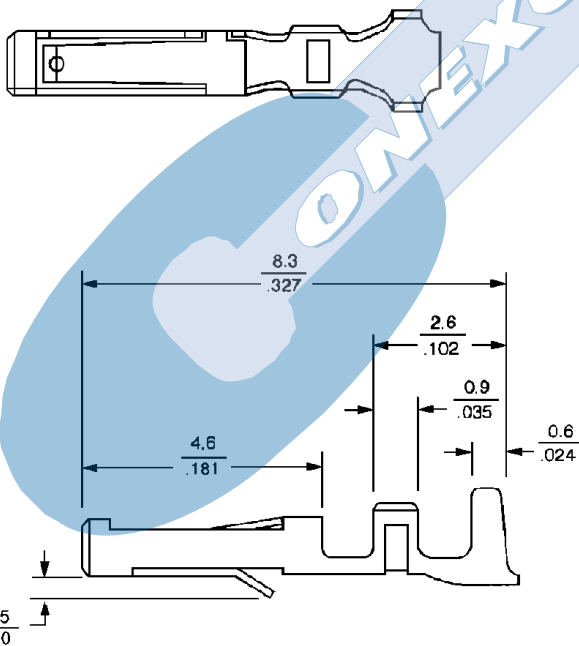
Dimensional Information

Electrical Features

- Current rating: < 2 A
- Contact resistance: < 20 mΩ

Mechanical features

- Durability: 25 cycles
- Wire pull-out force:
 - 4.00 Kgf 22 AWG
 - 3.00 Kgf 24 AWG
 - 2.00 Kgf 26 AWG
 - 1.00 Kgf 28 AWG



2263 - 2- 00- E
1 2

1. Terminal Serie

2. (E) Packing Options

- E = 0. Chain
- E = 1. Loose Piece