

REVISIONS				
REV	DESCRIPTION	DATE	DRAWN	APPROVED
AO				

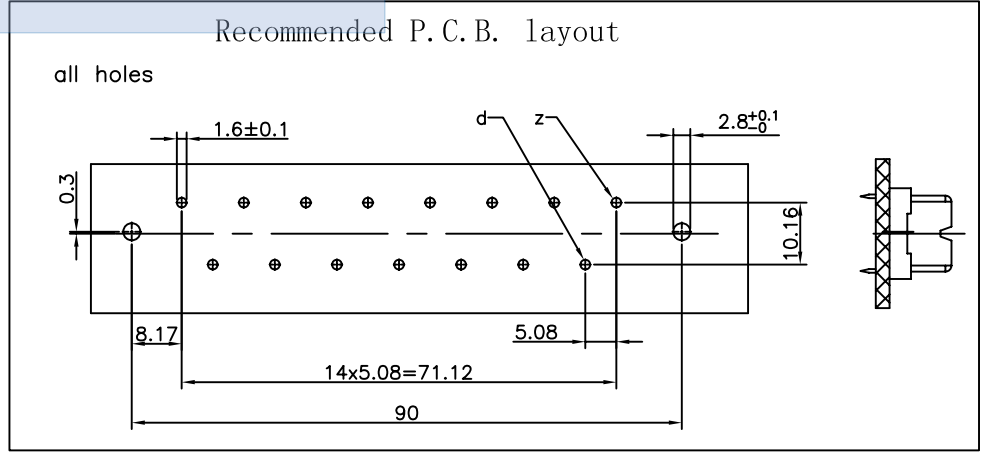
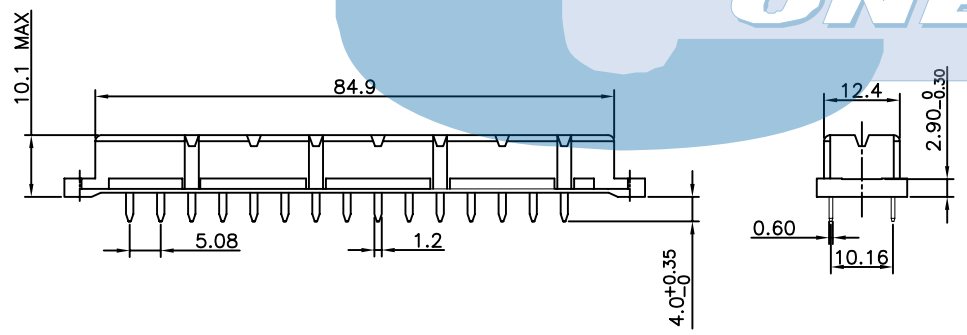
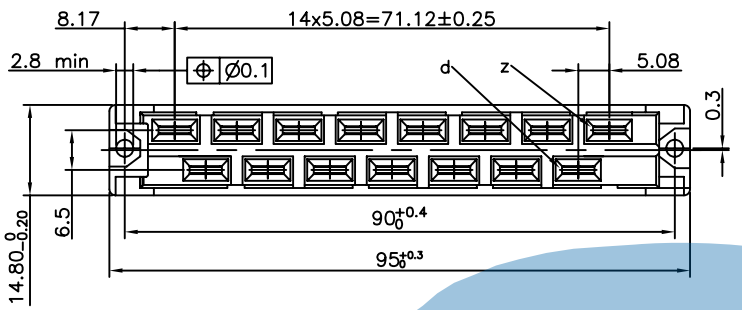
DIN 41612 EUROCARD CONNECTORS

Vertical Female Type H15 Connectors

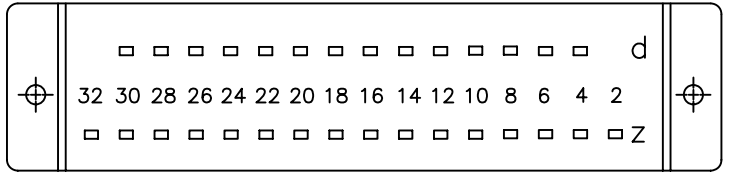
Technical data

EURO DIN 41612: Power
 Housing: PBT & 30%Glass Fiber(UL94V-0)
 Contact: Female : Phosphor Bronze
 Plating: Ag/Ni plated
 Operating temperature: -55°C~+105°C
 Contact resistance: 8m(ohm)max.
 Insulator resistance: 10⁶ M(ohm)min.
 Current rating: 15 AMP
 Withstanding voltage: AC 3100V for 1 minute
 Insertion force: 90N max
 Withdrawal force: 0.2 N/pin min
 RoHS Compliant

Dimensions



Contact arrangement
view from termination side



* For the configuration Part Number consult Sales Office

MATERIAL:	DRAWN:	Z.F.F	2012.09.11
FINISH:	DESIGN:		
ALL DIMENSIONS ARE IN mm	CHECKED:		
THIRD ANGLE PROJECTION	APPROVED:		
	UNLESS OTHERWISE SPECIFIED TOLERANCES ARE:		
	GENERAL TOLERANCE	ANGLE TOLERANCE	
	X. ±0.30	X'. ±3.0°	
	.X ±0.25	.X' ±2.0°	
	.XX ±0.15	.X' ±1.0°	
	.XXX ±0.05	.XX' ±1.0°	

2312 Series



PART NUMBER:			SERIES:		
DRAWING NUMBER	REV	SCALE	SIZE	SHEET	
	AO		A4	1 OF 1	