

REVISIONS				
REV	DESCRIPTION	DATE	DRAWN	APPROVED
AO				

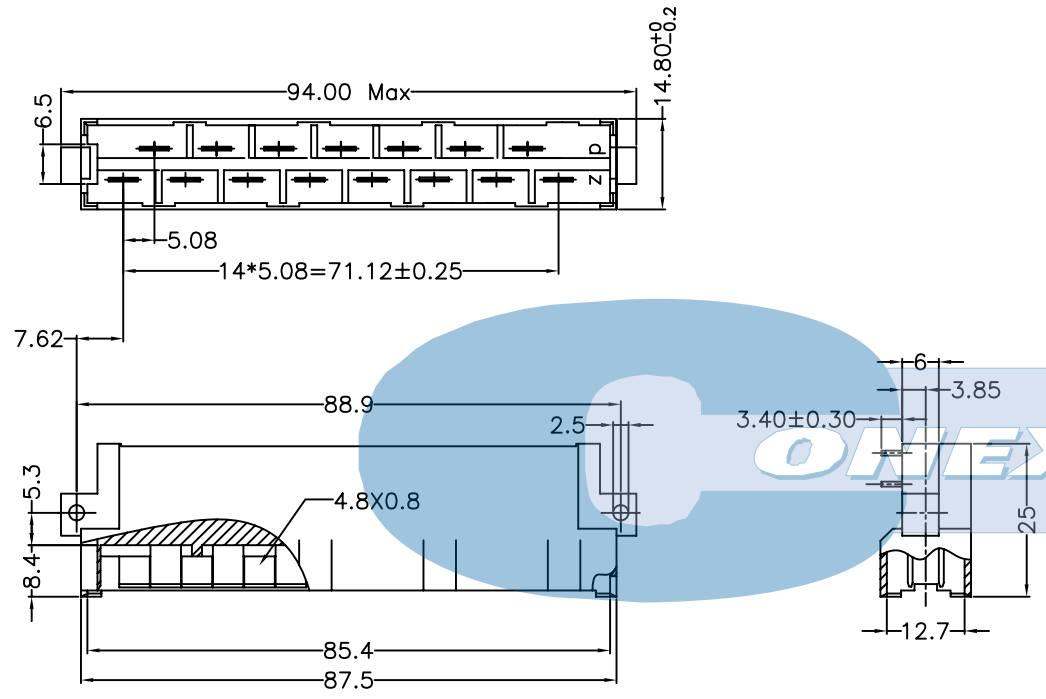
DIN 41612 EUROCARD CONNECTORS

Right Angle Male Type H15 Connectors

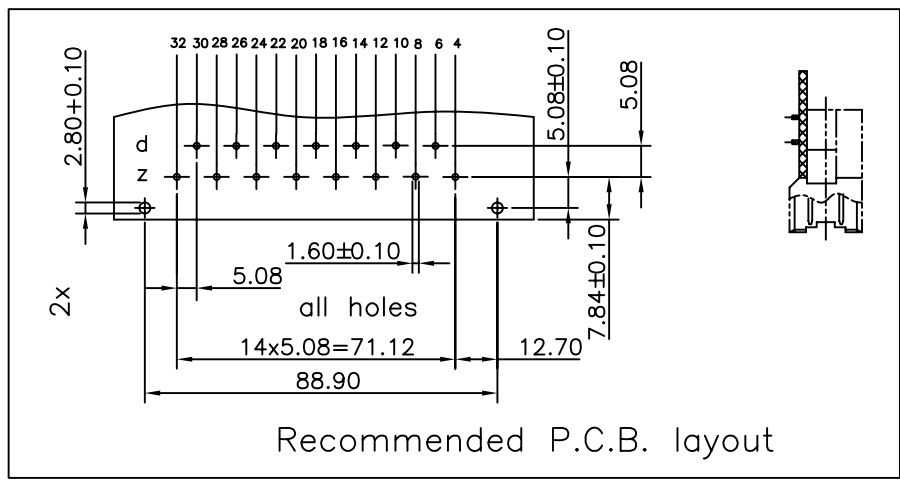
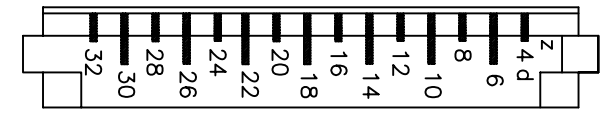
Housing: PBT & 30%Glass Fiber(UL94V-0)
 Contact: Male : Brass
 Plating: Hard silver plated
 Operating temperature: -55°C~+105°C
 Contact resistance: 8m(ohm)max.
 Insulator resistance: 10⁸ M(ohm)min.
 Current rating: 15 AMP
 Withstanding voltage: AC 3100V for 1 minute
 Insertion force: 90N Max
 Withdrawal force: 0.2N/pin min

RoHS Compliant

Dimensions


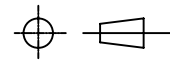


Contact arrangement View from termination side



Recommended P.C.B. layout

* For the configuration Part Number consult Sales Office

MATERIAL:	DRAWN: Z.F.W	2012.09.11	TITLE 2313 Series				
FINISH:	DESIGN:						
ALL DIMENSIONS ARE IN mm	CHECKED:						
THIRD ANGLE PROJECTION	APPROVED:		PART NUMBER:		SERIES:		
	<small>UNLESS OTHERWISE SPECIFIED TOLERANCES ARE:</small> <small>GENERAL TOLERANCE ANGLE TOLERANCE</small> X. ±0.30 X° ±3.0° .X ±0.25 .X° ±2.0° .XX ±0.15 .XX° ±1.0° .XXX ±0.05 .XX° ±1.0°		DRAWING NUMBER	REV	SCALE	SIZE	SHEET
	AO		A4	1 OF 1			