

# SINGLE ROW IDC CONNECTOR



## 2344 SERIES. 2.54 mm. (0.100") pitch.

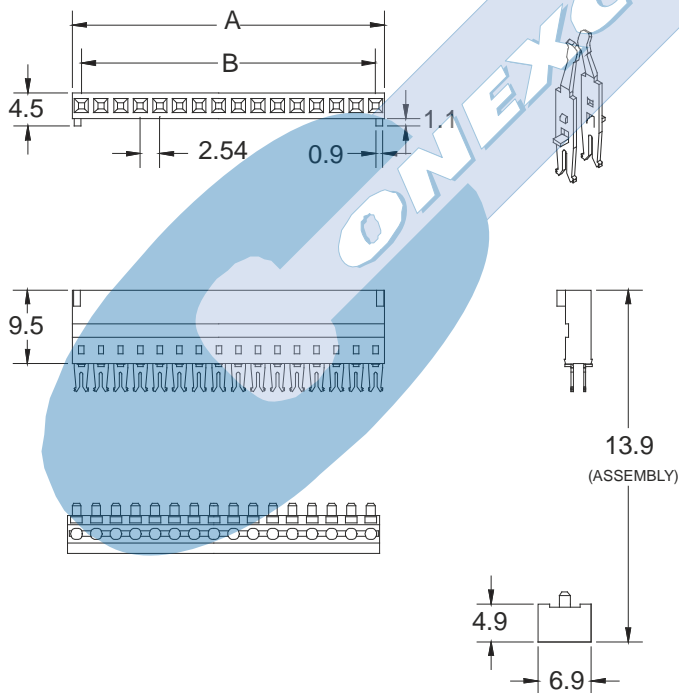
### General Features

- Available in 2 through 16 circuits
- Mates with 2.54 mm crimp housing 2345, 2346 and 2367 series
- Twin insulation displacement slot side entry wires
- Wires range : 22 AWG to 28 AWG O.D máx. 1.60 mm

### Materials

- Insulator: Nylon 66. UL 94 V-2
- Contact: Phosphor Bronze
- Operating temperature: -25°C to +85°C
- RoHS compliant

### Dimension Information

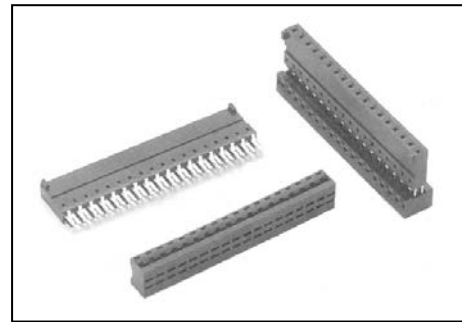


### Electrical Features

- Voltage rating: < 250V
- Current rating: < 3 A
- Contact resistance: < 20 mΩ
- Dielectric withstanding voltage: 1000 V AC/minute
- Insulation resistance: >1000 MΩ

### Mechanical Features

- Contact retention force to the housing: > 1.0 Kgf
- Insertion force to header: < 0.70 Kgf/pin
- Withdrawal force from header: < 0.10 Kgf/pin
- Durability: 25 cycles



### Ordering Information:

**2344 - T- XX- 1**  
1 2 3

#### 1. Connector Series

#### 2. (T) Contact Plating

- T = 2. Tin plated
- T = 3. Gold flash over nickel  
Recommended Finish
- T = 5. 15μ" gold over nickel
- T = 6. 30μ" gold over nickel

#### 3. (XX) Number of circuits

- Available in 2 through 16 circuits

Dimensions: (In mm.)

A = 2.54 x (XX\*-1)

B = 2.54 x (XX\*)

\* XX (Number of circuits)