

# SINGLE ROW SIDE IDC ENTRY CONNECTOR



## 2364 SERIES. 2.54 mm. (0.100") pitch.

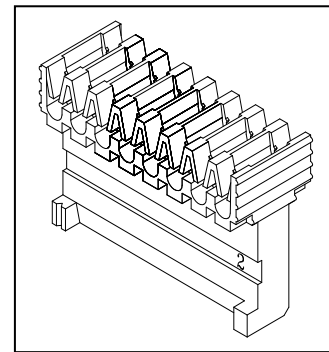
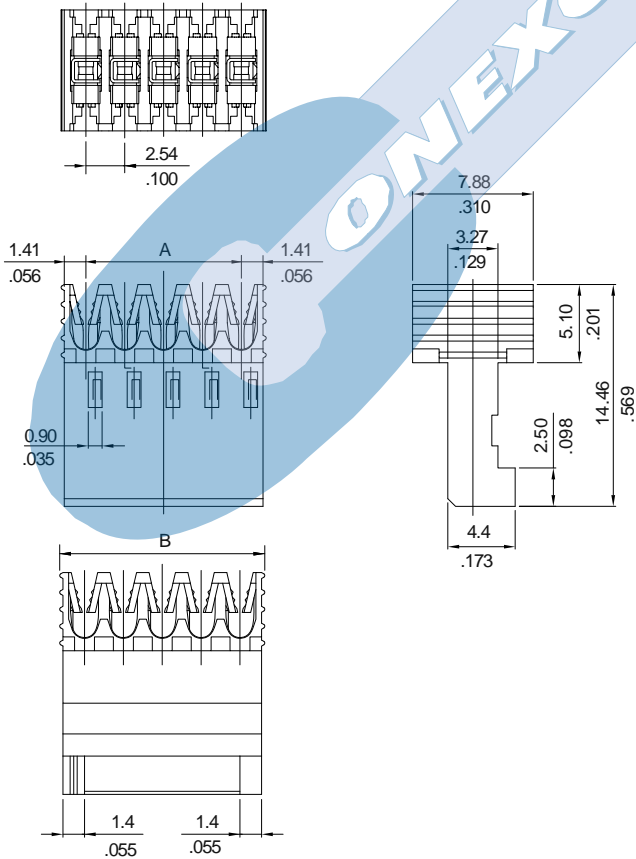
### General Features

- Available in 2 through 18 circuits
- Mates with 2.54 mm pin headers 2345, 2346 and 2367 series
- Wires range : 24 AWG to 28 AWG O.D max. 1.20 mm
- Twin insulation displacement slot
- Side entry wires

### Materials

- Insulator: Nylon 66. UL 94 V-0
- Contact: Brass
- Operating temperature: -25°C to +85°C
- RoHS compliant

### Dimension Information



### Electrical Features

- Voltage rating: < 250V
- Current rating: < 3 A
- Contact resistance: < 20 mΩ
- Dielectric withstanding voltage: 1000 V AC/minute
- Insulation resistance: >1000 MΩ

### Mechanical Features

- Durability: 25 cycles

### Ordering Information:

**2364 - T- XX- 1**

1                      2                      3

#### 1. Connector Series

#### 2. (T) Contact Plating

- T = 2. Tin plated
- T = 3. Gold flash over nickel  
Recommended Finish
- T = 5. 15μ" gold over nickel
- T = 6. 30μ" gold over nickel

#### 3. (XX) Number of circuits

- Available in 2 through 18 circuits

Dimensions: (In mm.)

A = 2.54 x (XX)

B = 2.54 x (XX\*-1)+0.8

\* XX (Number of circuits)