

SINGLE ROW TOP ENTRY HEADER



2448 SERIES. 2.54 mm (0.100") pitch.

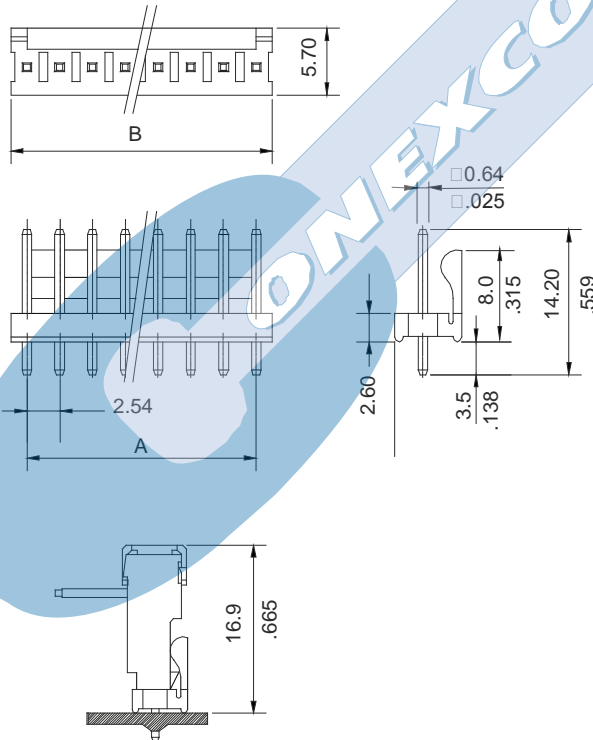
General Features

- Available in 2 through 20 circuits
- Mates with 2.54 mm crimp housing 2630 and 2544 series
- 0,64 mm. square pin tin plated
- Polarized with locking ramp

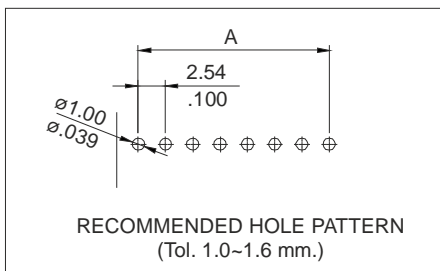
Materials

- Insulator: Nylon 66 UL 94 V-2
- Contact: Tin plated brass
- Operating temperature: -25°C to +85°C
- RoHS compliant

Dimension Information



MATING DIMENSIONS

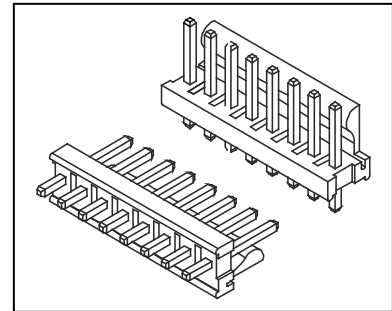


Electrical Features

- Voltage rating: < 250V
- Current rating: < 3 A
- Contact resistance: < 20 mΩ
- Dielectric withstanding voltage: 1000 V AC/minute
- Insulation resistance: >1000 MΩ

Mechanical Features

- Pin retention force to insulator: > 1.00 Kgf
- Durability: 25 cycles



Ordering Information:

2448 - T- XX- 1
1 2 3

1. Connector Series

2. (T) Contact Plating

- T = 2. Tin plated

3. (XX) Number of circuits

- Available in 2 through 20 circuits

Dimensions: (In mm.)

A = 2.54 x (XX*-1)

B = 2.54 x (XX*)

* XX (Number of circuits)