

# SINGLE ROW CRIMP CONNECTOR HOUSING



## 2544 SERIES. 2.54 mm (0.100") pitch.

### General Features

- Available in 2 through 20 circuits
- Mates with 2.54 mm pitch 2545, 2532, 2445, 2448, 2449 and 2546 headers and 0.64 mm square pin headers
- Polarised with locking ramp
- Use crimp terminal 2044

### Electrical Features

- Voltage rating: < 250V
- Current rating: < 3 A
- Contact resistance: < 20 mΩ
- Dielectric withstanding voltage: 1000 V AC/minute
- Insulation resistance: >1000 MΩ

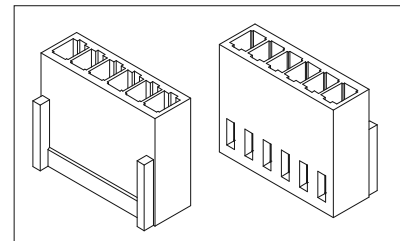
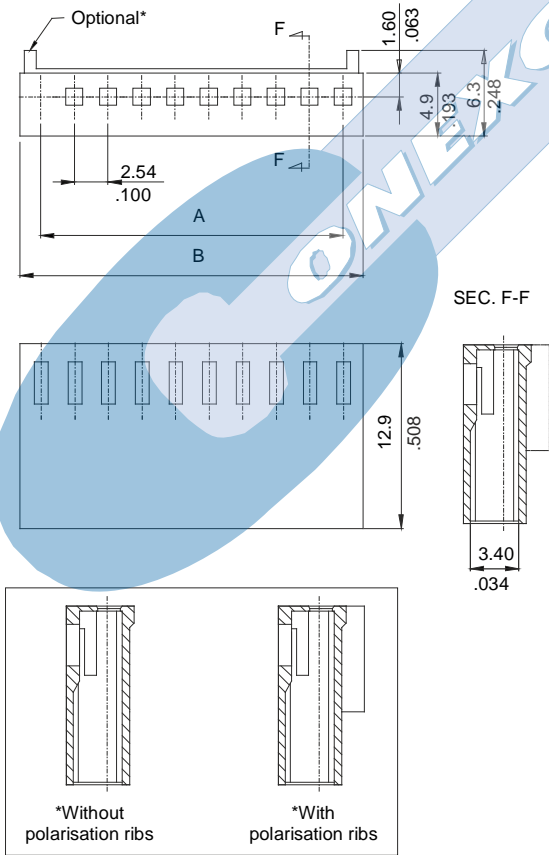
### Materials

- Insulator: Nylon 66 UL 94 V-0
- Contact: Tin plated phosphor bronze
- Operating temperature: -25°C to +85°C
- RoHS compliant

### Mechanical Features

- Contact retention force to insulator: > 1.8 Kgf
- Insertion force to header: < 0.50 Kgf/pin
- Withdrawal force from header: < 0.15 Kgf/pin
- Durability: 25 cycles

### Dimension Information



### Ordering Information:

**2544 - P- XX 1**  
 1            2            3

#### 1. Connector Series

#### 2. (P) Polarising Options

- P = 2. With polarisation
- P = 3. Without polarisation

#### 3. (XX) Number of circuits

- Available in 2 through 20 circuits

Dimensions: (In mm.)

A = 2.54 x (XX\*-1)

B = 2.54 x (XX)+0.56

\* XX (Number of circuits)