

SINGLE ROW CRIMP CONNECTOR HOUSING



2570 SERIES. 2.50 mm. (0.098") Pitch.

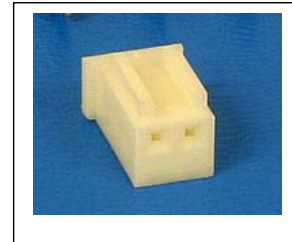
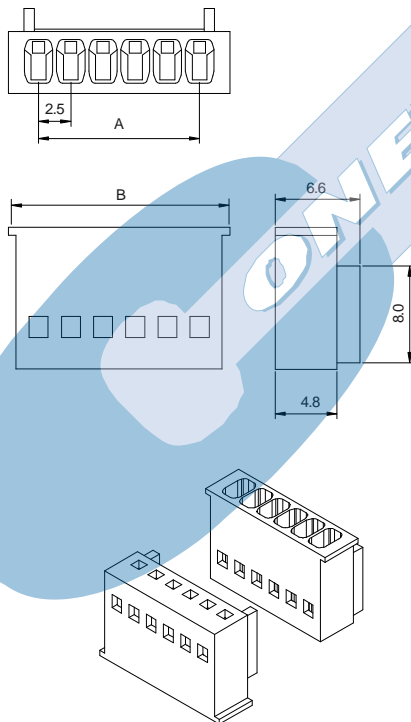
General Features

- Available in 2 through 16 circuits
- Mates with 2.50 mm pitch 2574 series and 0.64 mm square pin headers
- Polarised with locking ramp
- Use crimp terminal 2572

Materials

- Insulator: Nylon 6/6 UL 94 V-0
- Operating temperature. -40°C to + 85°C
- RoHS compliant

Dimensional Information



Electrical Features

- Voltage Rating: < 250 V
- Current Rating: < 3 A
- Contact resistance: < 20 mΩ
- Dielectric withstanding voltage: 1000 V AC/minute
- Insulation resistance: >1000 MΩ

Mechanical Features

- Contact retention force to the housing: > 1.5 Kgf
- Insertion force to header: < 0.50 Kgf/pin
- Withdrawal force from header: < 0.10 Kgf/pin
- Durability: 25 cycles

2570 - 2- XX- 1
1 2 3

1. Connector Serie

3. (XX) Number of circuits

- Available in 2 through 16 circuits

Dimensions: (in mm.)

A = 2.50 x (XX*-1)

B = 2.50 x (XX*)+1.00

*XX (Number of circuits)