

CRIMP TERMINAL



2653 SERIES. 2.54 mm. (0.100 ") Pitch housing

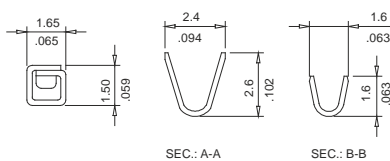
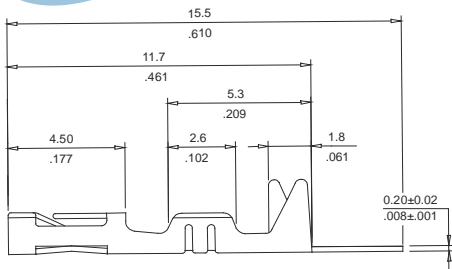
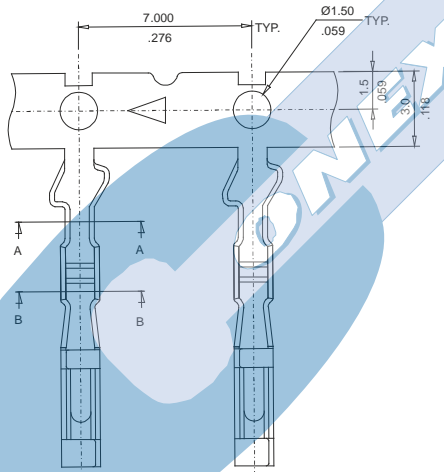
General Features

- Accommodates wire range AWG 22 through 28
- Use in housing 2.50 and 2.54 mm pitch 2651 , 2652 and 2646 series
- Dual beam box contact with tin plated locking lance
- Maximum insulation diameter 1.70 mm (0.067")

Materials

- Contact: Tin pre plated Brass
- Operating temperature -40°C to +85°C

Dimensional Information



Electrical Features

- Current rating: < 3 A
- Contact resistance: < 20 mΩ

Mechanical Features

- Durability: 25 cycles
- Wire pull-out force:
 - 4.00 Kgf 22 AWG
 - 3.00 Kgf 24 AWG
 - 2.00 Kgf 26 AWG
 - 1.00 Kgf 28 AWG



2653 - T - 00 - E

1

2

1. Terminal Serie

2. (T) Contact Plating

- T = 2. Tin plated
- T = 3. Gold flash over nickel
- Recommended Finish
- T = 5. 15μ" gold over nickel
- T = 6. 30μ" gold over nickel

2. (E) Packing Options

- E = 0. Chain
- E = 1. Loose Piece