

# SINGLE ROW TOP ENTRY HEADER



## 2681 SERIES. 2.54 mm (0.100") pitch.

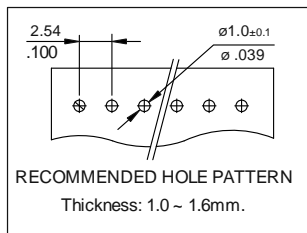
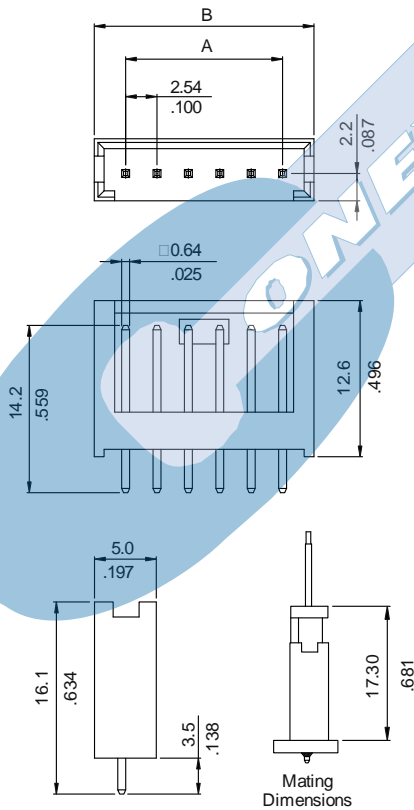
### General Features

- Available in 2, 3, 4, 5, 6, 7, 8, 9, 10, 12, 13, 14, 15 and 22 circuits
- Mates with 2.54 mm crimp housing 2680 series
- 0,64 mm. square pin tin plated
- Fully shrouded with positive lock

### Materials

- Insulator: PBT UL 94 V-0
- Contact: Tin plated brass
- Operating temperature: -25°C to +85°C
- RoHS compliant

### Dimension Information

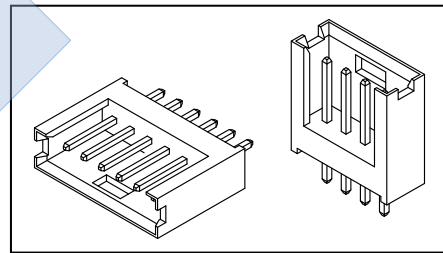


### Electrical Features

- Voltage rating: < 250V
- Current rating: < 3 A
- Contact resistance: < 20 mΩ
- Dielectric withstanding voltage: 1000 V AC/minute
- Insulation resistance: >1000 MΩ

### Mechanical Features

- Pin retention force to insulator: > 1.00 Kgf
- Durability: 25 cycles



### Ordering Information:

**2681 - T- XX- 1**  
 1            2            3            4

#### 1. Connector Series

#### 2. (T) Contact Plating

- T = 2. Tin plated  
Recommended Finish
- T = 3. Gold flash over nickel
- T = 5. 15μ" gold over nickel
- T = 6. 30μ" gold over nickel

#### 3. (XX) Number of circuits

- Available in 2 through 22 circuits

### Dimensions: (In mm.)

A = 2.54 x (XX\* - 1)

B = 2.54 x (XX) + 2.54

\* XX (Number of circuits)