

MALE CRIMP TERMINAL



2684 SERIES. 2.54 mm. (0.100 ") Pitch housing

General Features

- Accommodates wire range AWG 22 through 26
- Use in housing 2.54 mm pitch 2679 series
- Male contact with locking lance
- Maximum insulation diameter 1.90 mm (0.075")

Materials

- Contact: Phosphor bronze
- Operating temperature -40°C to +85°C

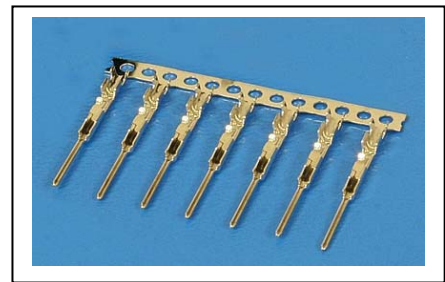
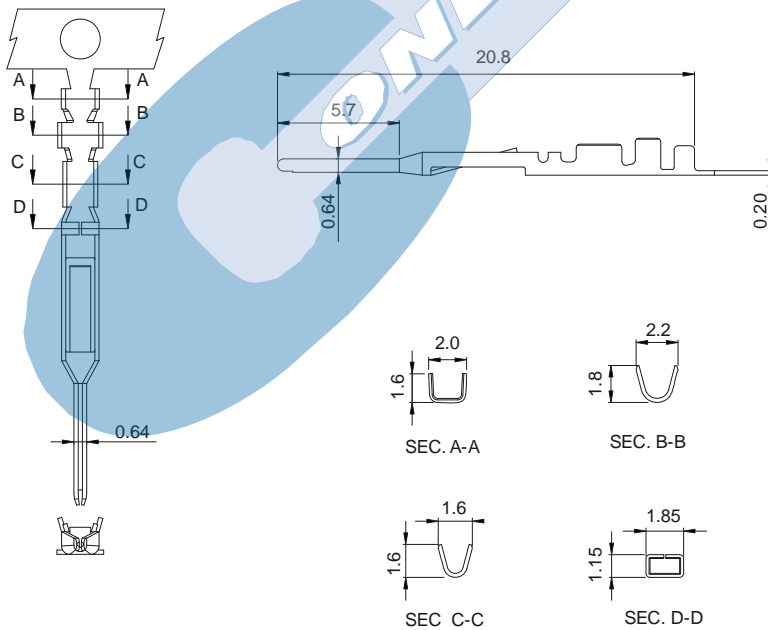
Electrical Features

- Current rating: < 3 A
- Contact resistance: < 10 mΩ

Mechanical Features

- Durability: 25 cycles
- Wire pull-out force:
 - 4.00 Kgf 22 AWG
 - 3.00 Kgf 24 AWG
 - 2.00 Kgf 26 AWG

Dimensional Information



2684 - T- 00- E

1 2 3

1. Terminal Serie

2. (T) Contact Plating

- T = 2. Tin plated

3. (E) Packing Options

- E = 0. Chain
- E = 1. Loose Piece