

DUAL ROW TOP ENTRY HEADER



2686 SERIES. 2.54 mm (0.100") pitch.

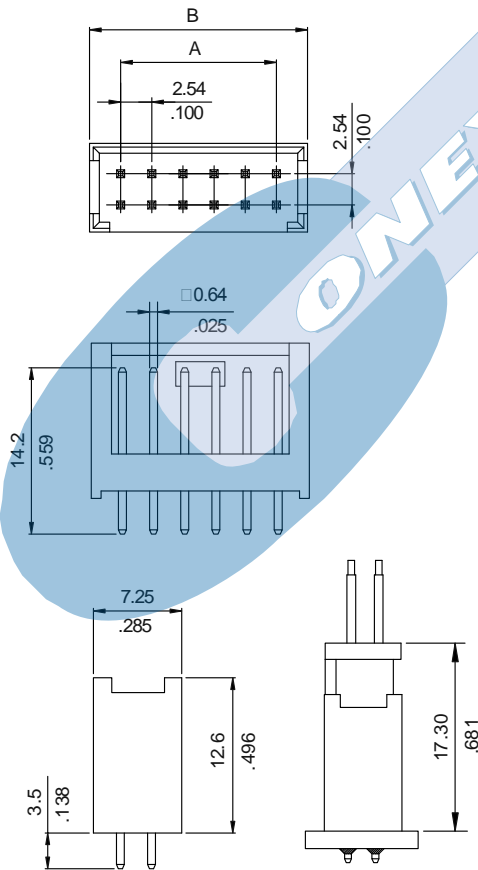
General Features

- Available in 8, 10, 12, 16, 18, 24, 30 and 36 circuits
- Mates with 2.54 mm crimp housing 2685 series
- 0,64 mm. square pin tin plated
- Fully shrouded with positive lock

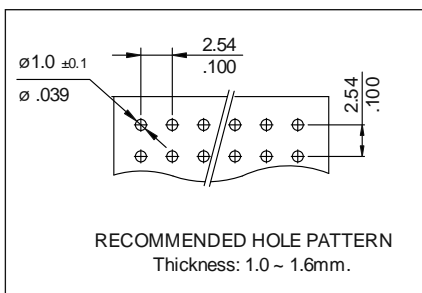
Materials

- Insulator: PBT UL 94 V-0
- Contact: Tin plated brass
- Operating temperature: -25°C to +85°C
- RoHS compliant

Dimension Information



Matting Dimensions

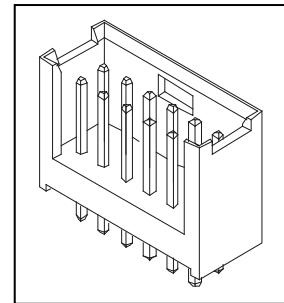


Electrical Features

- Voltage rating: < 250V
- Current rating: < 3 A
- Contact resistance: < 20 m Ω
- Dielectric withstanding voltage: 1000 V AC/minute
- Insulation resistance: >1000 M Ω

Mechanical Features

- Pin retention force to insulator: > 1.00 Kgf
- Durability: 25 cycles



Ordering Information:

2686 - T- XX- 1
1 2 3 4

1. Connector Series

2. (T) Contact Plating

- T = 2. Tin plated
Recommended Finish
- T = 3. Gold flash over nickel
- T = 5. 15 μ " gold over nickel
- T = 6. 30 μ " gold over nickel

3. (XX) Number of circuits

- Available in 8 through 36 circuits

DIMENSIONS

$$A = 2.54 \left(\frac{XX}{2} - 1 \right) \quad B = 2.54 \left(\frac{XX}{2} \right) + 2.54$$

(XX) = Number of circuits