

# DUAL ROW SIDE ENTRY HEADER



## 2687 SERIES. 2.54 mm (0.100") pitch.

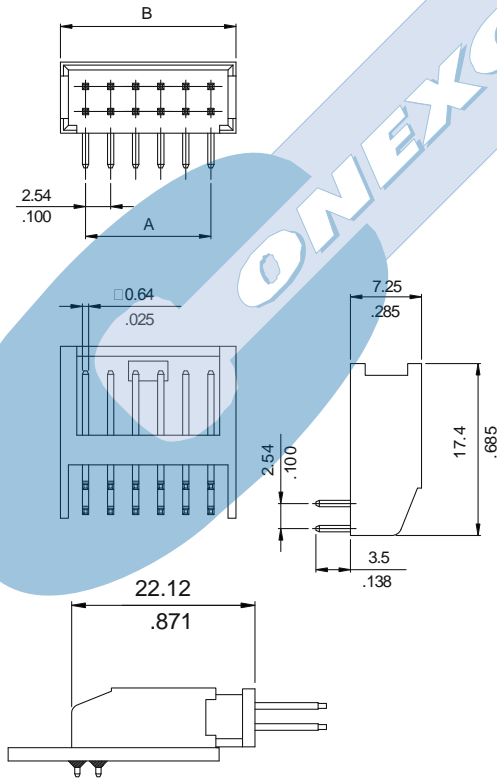
### General Features

- Available in 8, 10, 12, 16, 18, 24, 30 and 36 circuits
- Mates with 2.54 mm crimp housing 2685 series
- 0,64 mm. square pin tin plated
- Fully shrouded with positive lock

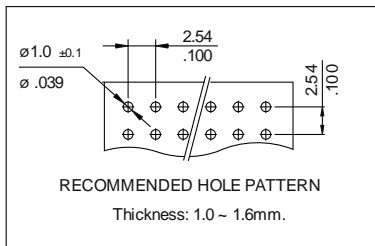
### Materials

- Insulator: PBT UL 94 V-0
- Contact: Tin plated brass
- Operating temperature: -25°C to +85°C
- RoHS compliant

### Dimension Information



Matting dimensions

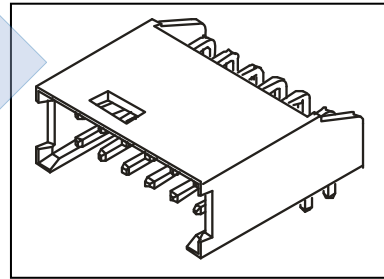


### Electrical Features

- Voltage rating: < 250V
- Current rating: < 3 A
- Contact resistance: < 20 m $\Omega$
- Dielectric withstanding voltage: 1000 V AC/minute
- Insulation resistance: >1000 M $\Omega$

### Mechanical Features

- Pin retention force to insulator: > 1.00 Kgf
- Durability: 25 cycles



### Ordering Information:

**2687 - T- XX- 1**  
1 2 3 4

#### 1. Connector Series

#### 2. (T) Contact Plating

- T = 2. Tin plated  
Recommended Finish
- T = 3. Gold flash over nickel
- T = 5. 15 $\mu$ " gold over nickel
- T = 6. 30 $\mu$ " gold over nickel

#### 3. (XX) Number of circuits

- Available in 8 through 36 circuits

### DIMENSIONS

$$A = 2.54 \left( \frac{XX}{2} - 1 \right) \quad B = 2.54 \left( \frac{XX}{2} \right) + 2.54$$

(XX) = Number of circuits