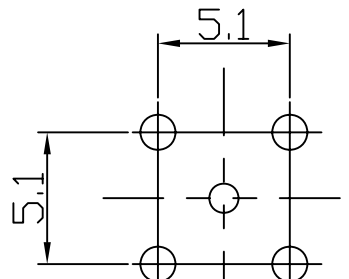
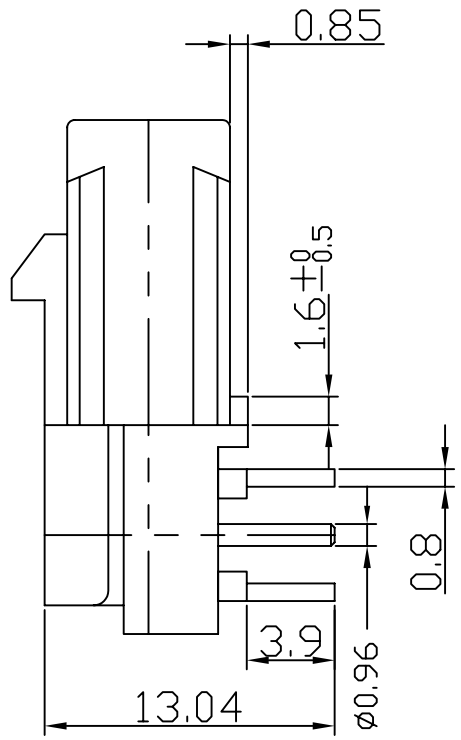
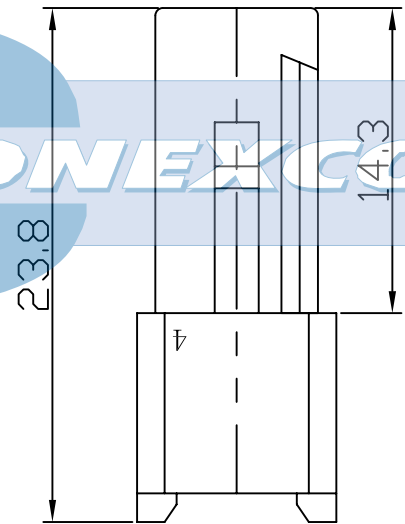
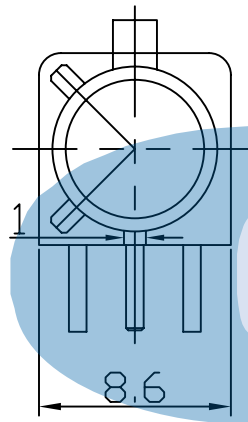


REVISIONS		
ISS	ZONE	DESCRIPTION\PER REQUEST\DATE

Part Number: 2812-00176D



(4) $\varnothing 1.5$ MIN
 (1) $\varnothing 1.4$ MIN
 MOUNTING HOLE (1) (C94)

NO	DESCRIPTION	MATERIAL	FINISH	QTY	DRAWING NO.
6	SHELL	PA66	PURPLE (SIM)	1	
5	INSULATOR	PTFE	WHITE	1	
4	INSULATOR	PTFE	WHITE	1	
3	PIN	COPPER	GOLD	1	
2	BODY	COPPER	NICKEL	1	
1	SQUARE BODY	COPPER	TIN	1	

DIMENSIONS ARE IN MILLIMETERS
 UNLESS OTHERWISE SPECIFIED

TOLERANCES
 ANGLES=±3
 UP TO 6=±0.1
 6-40=±0.2
 40-120=±0.6
 120-315=±1
 ABOVE315=±1.6



DRAWN DATE

TITLE			
FAKRA SMB R/A PCB MOUNT MALE RECEPTACLE			
DRAWING NO		2812-00176D	REV B
CUSTOMER NO			REV

CUSTOMER CODE	
SCALE	3/1
FILE NO.	F:\CAD\66\6606NTG14D2-1#