

POWER CRIMP FEMALE TERMINAL HOUSING

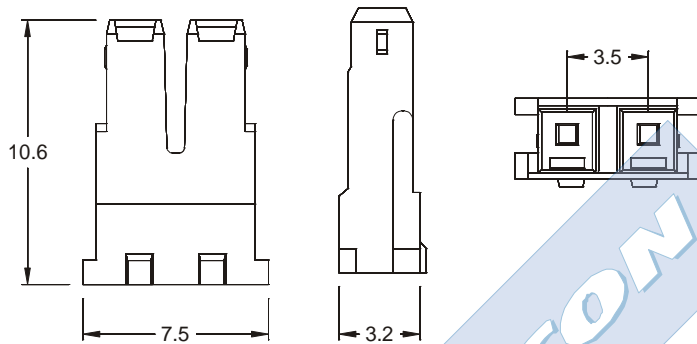


3510 SERIES. 3.50 mm. (0.138").

Features

- Available in 2 circuits
- Low profile with high withstanding voltage
- Material : nylon 6/6 UL 94V-0
- Accepts crimp terminal series: 3512
- Mates with male housing series 3510-2021 and connectors series: 3511 and 3514

Dimensional Information



Ordering Information

Part Number: **3510-1021**

POWER CRIMP MALE TERMINAL HOUSING

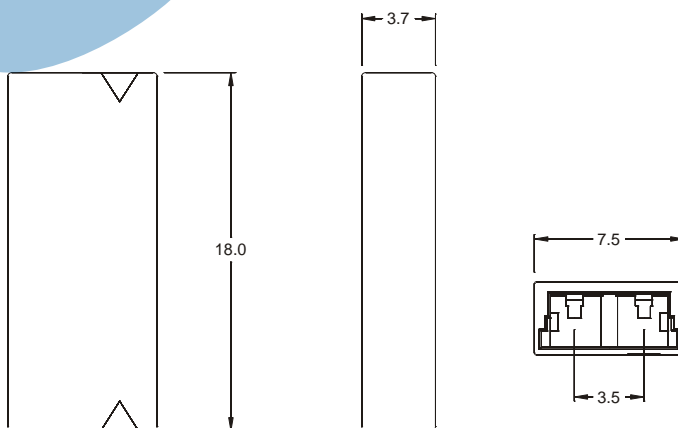


3510 SERIES. 3.50 mm. (0.138").

Features

- Available in 2 circuits
- Low profile with high withstanding voltage
- Material : nylon 6/6 UL 94V-0
- Accepts crimp terminal series: 3513
- Mates with male housing series 3510-1021

Dimensional Information



Ordering Information

Part Number: **3510-2021**