

CRIMP TERMINAL



3524 / 3525 SERIES. Lateral Latch.

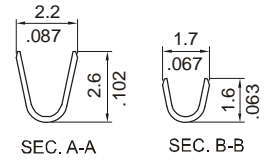
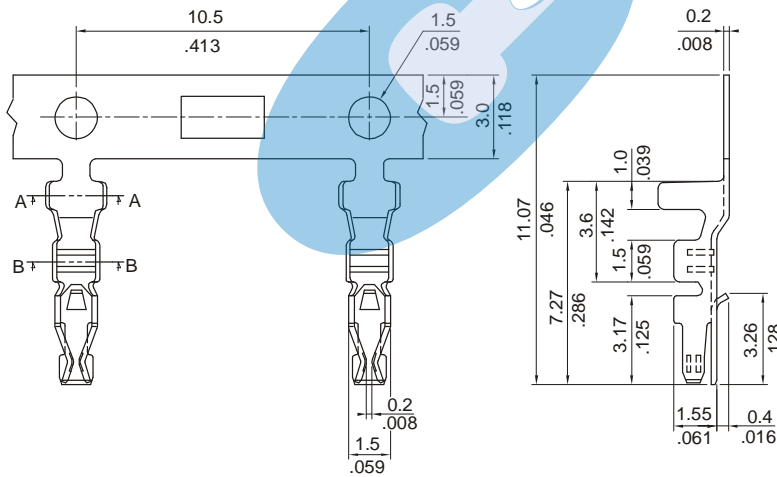
Features

- Used in 3520 series socket
- Accomodates wire ranges AWG 18 to 28
- (AWG 22-28) 3524 series. (AWG 18-22) 3525 Series.
- Material: Phosphor Bronze
- Plating: Tin plated
- Thickness 0.2 mm.

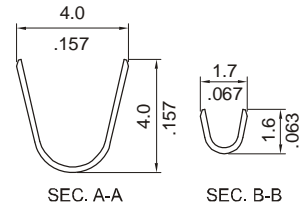
Dimensional Information

Ordering and Dimensional Information

Type	Part Number	Material	CABLE	Insulator Diam.
Chain	3524 - 2000	Phosphor Bronze	22 - 28 AWG	1.90 mm. Max.
Loose Piece	3524 - 2001	Phosphor Bronze	22 - 28 AWG	1.90 mm. Max.
Chain	3525 - 2000	Phosphor Bronze	18 - 22 AWG	2.70 mm. Max.
Loose Piece	3525 - 2001	Phosphor Bronze	18 - 22 AWG	2.70 mm. Max.



Series: 3524



Series: 3525