

CRIMP TERMINAL



3881 SERIES. 3.96 (0.156")mm. Pitch

General Features

- Accommodates wire range AWG 18 through 22
- Use in housing 3.96 mm pitch 3880 series
- Box contact with tin plated locking lance
- Maximum insulation diameter 2.30 mm (0.090")

Materials

- Contact: Phosphor bronze tin plated
- Operating temperature -40°C to +105°C

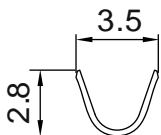
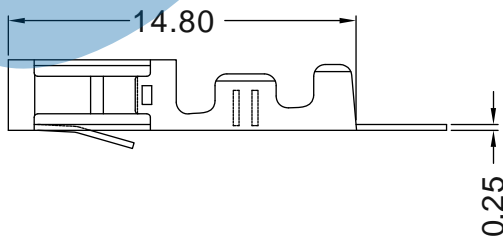
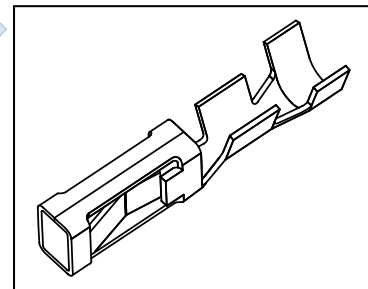
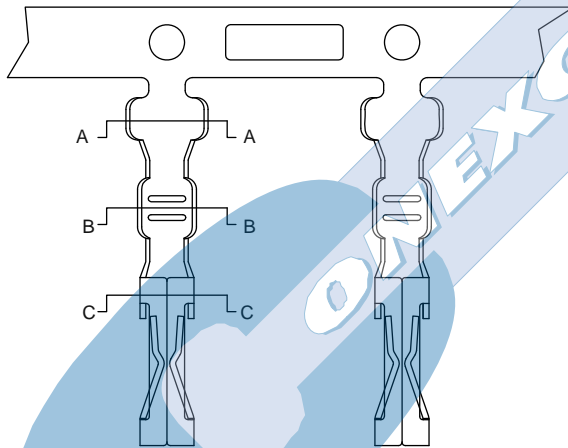
Electrical Features

- Current rating: < 5 A
- Contact resistance: < 20 mΩ

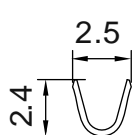
Mechanical Features

- Durability: 25 cycles
- Wire pull-out force:
 - 10.00 Kgf 18 AWG
 - 8.00 Kgf 20 AWG
 - 6.30 Kgf 22 AWG

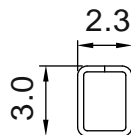
Dimensional Information



SEC. A-A



SEC. B-B



SEC. C-C

3881 - T- 00- E
1 2

1. Terminal Serie

2. (T) Contact Plating

- T = 2. Tin plated

2. (E) Packing Options

- E = 0. Chain
- E = 1. Loose Piece