

SINGLE ROW SIDE ENTRY PIN HEADER



3883 SERIES. 3.96 mm (0.156") pitch.

General Features

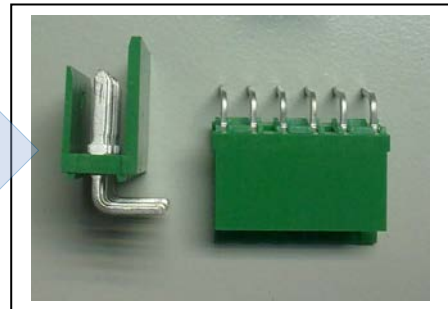
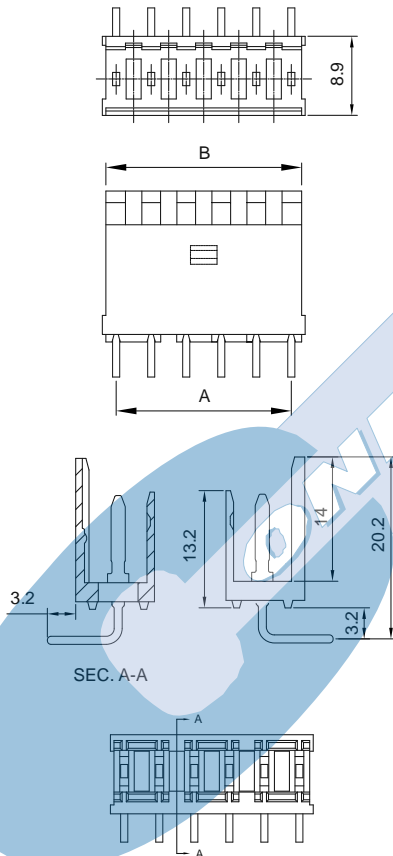
- Available 2, 4, 6, 8, 10 and 12 circuits
- Mates with wire housing 3880 series
- Polarized with positive lock

Electrical Features

- Voltage rating: < 250V
- Current rating: < 5 A
- Contact resistance: < 20 mΩ
- Dielectric withstanding voltage: 1500 V AC/minute
- Insulation resistance: >1000 MΩ

Materials

Mechanical Features



Ordering Information:

3883 - T- XX- 1
1 2 3

1. Connector Series

2. (T) Contact Plating

- T = 2. Tin plated
Recommended Finish

3. (XX) Number of circuits

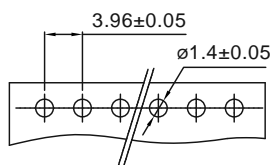
- Available in 2 through 12 circuits

Dimensions: (In mm.)

A = 3.96 x (XX^{*}-1)
B = 3.96 x (XX^{*})-1.64

* XX (Number of circuits)

Tolerances are non cumulative ±0.05



RECOMMENDED PCB LAYOUT
(PCB THK=1.0~1.6)