

# SINGLE ROW TOP ENTRY PIN HEADER



## 3966 SERIES. 3.96 mm (0.156") pitch.

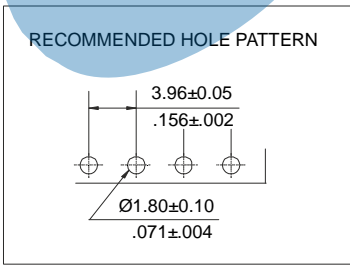
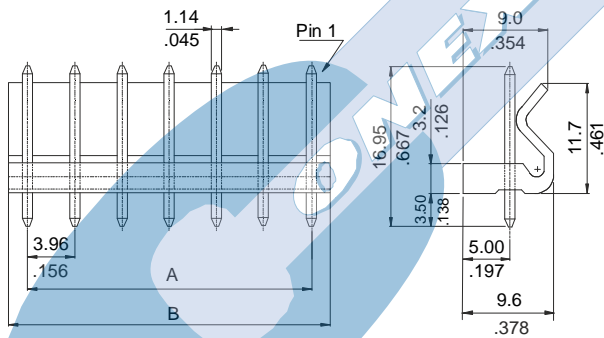
### General Features

- Available in 2 through 20 circuits
- Mates with PCB sockets 3970 and 3971 series and wire housing 3940, 3930 and 2631 series
- 1.14 mm. square pin
- Pin omit options are available in any circuits
- Polarised with friction lock

### Materials

- Insulator: Nylon 66 UL 94 V-0
- Optional: GWT compliant \*
- Contact: brass
- Operating temperature: -40°C to +105°C
- RoHS compliant

### Dimensional Information



Dimensions: (In mm.)

A = 3.96 x (XX\*-1)

B = 3.96 x (XX\*)

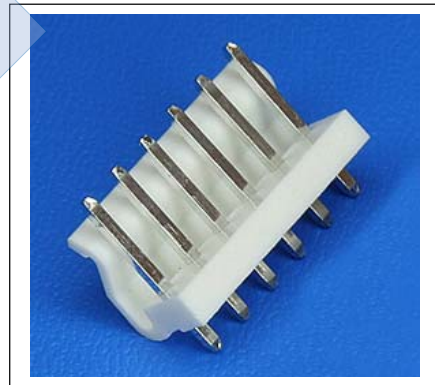
\* XX (Number of circuits)

### Electrical Features

- Voltage rating: < 250V
- Current rating: < 5 A
- Contact resistance: < 20 mΩ
- Dielectric withstanding voltage: 1500 V AC/minute
- Insulation resistance: >1000 MΩ

### Mechanical Features

- Pin retention force to insulator: > 2.00 Kgf
- Durability: 25 cycles



### Ordering Information:

**3966 - T- XX- C\***  
 1            2            3            4

#### 1. Connector Series

#### 2. (T) Contact Plating

- T = 2. Tin plated  
Recommended Finish

#### 3. (XX) Number of circuits

- Available in 2 through 20 circuits

#### 4. (C) Number of circuits

- C=1. Standard Connector
- Other options consult Sales Office

#### \* GWT Options

- For GWT options add E at the end of part number