

# SINGLE ROW TOP ENTRY PIN HEADER



## 3991 SERIES. 3.96 mm (0.156") pitch.

### General Features

- Available in 6 and 12 circuits
- Mates with wire housing 3990 Series
- Polarized with friction lock

### Materials

- Insulator: Nylon 66 UL 94 V-0
- Contact: brass
- Operating temperature: -40°C to +85°C
- RoHS compliant

### Electrical Features

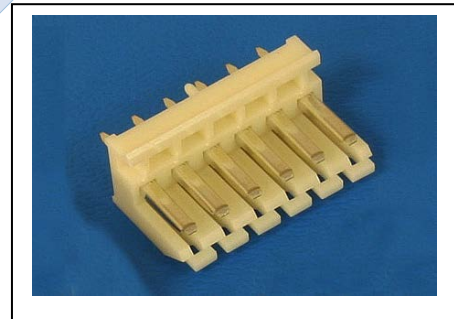
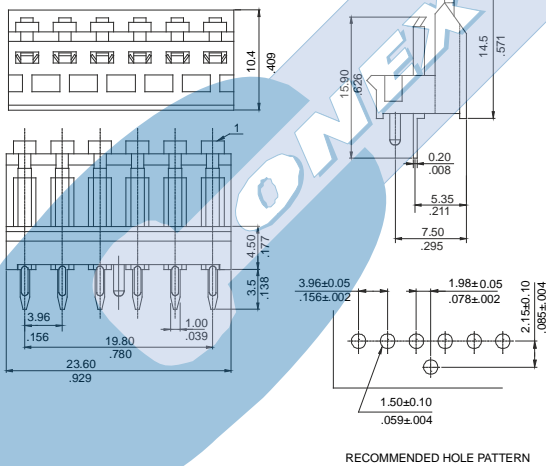
- Voltage rating: < 250V
- Current rating: < 5 A
- Contact resistance: < 20 mΩ
- Dielectric withstanding voltage: 1500 V AC/minute
- Insulation resistance: >1000 MΩ

### Mechanical Features

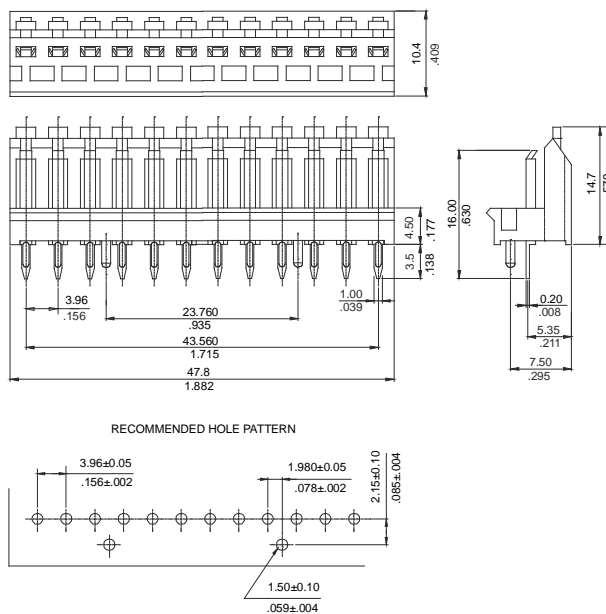
- Pin retention force to insulator: > 1.00 Kgf
- Durability: 25 cycles

### Dimension Information

Part Number: **3991-2061**



Part Number: **3991-2121**



### Ordering Information:

**3991 - 2- XX- 1**  
 1            2            3

1. Connector Series

3. (XX) Number of circuits

- Available in 6 and 12 circuits