

SERIAL ATA POWER CRIMP TERMINAL



4218 SERIES. Serial ATA crimp terminal.

General Features

- Accommodates wire range AWG 18x2 through 22 x2
- Use in crimp housing 4216 series
- Trifurcated flex contact tin plated with locking lance
- Maximum insulation diameter 2.10 mm (0.083")

Materials

- Contact: Phosphor bronze
- Operating temperature -40°C to +85°C

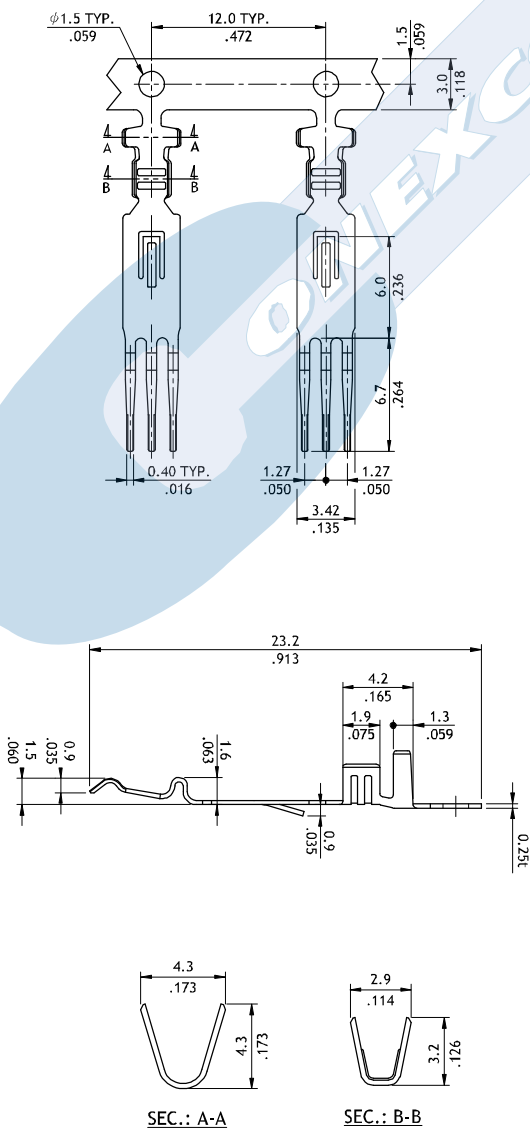
Electrical Features

- Current rating: < 1.5 A DC
- Contact resistance: < 30 mΩ

Mechanical Features

- Durability: 25 cycles
- Wire pull-out force:
 - 9.00 Kgf 18 AWG
 - 7.00 Kgf 20 AWG
 - 5.00 Kgf 22 AWG

Dimensional Information



4218 - T- 00- E

1 2

1. Terminal Serie

2. (T) Contact Plating

- T = 2. Tin plated

2. (E) Packing Options

- E = 0. Chain
- E = 1. Loose Piece