

SINGLE ROW STRAIGHT POLARISED HEADER



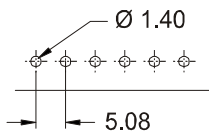
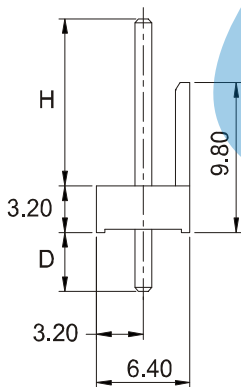
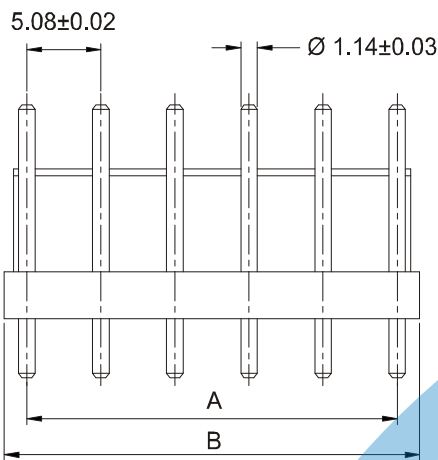
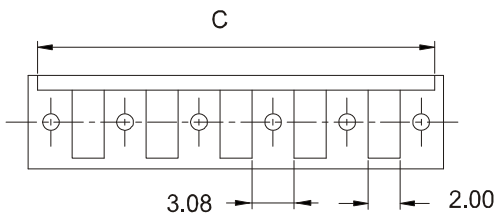
5084 SERIES. 5.08mm(0.200"). Round Pin. For PCB Solder

Features

- Available in 2 through 12 circuits
- Material: Nylon 6/6 UL 94V-2
- 1.14mm(0.45") diameter round pin tin plated
- Mates with 5080 series housing
- Polarised with no friction lock
- Pin omit options are available in any circuits

Dimensional Information

Ordering and Dimensional Information



RECOMMENDED HOLE PATTERN

Circuit Size	Part Number	Dimensions		
		A	B	C
02	5084-T02C	5,08(0,200)	8,16(0,321)	6,16(0,242)
03	5084-T03C	10,16(0,400)	13,24(0,521)	11,24(0,442)
04	5084-T04C	15,24(0,600)	18,32(0,721)	16,32(0,642)
05	5084-T05C	20,32(0,800)	23,40(0,921)	21,40(0,842)
06	5084-T06C	25,40(1,000)	28,48(1,121)	26,48(1,042)
07	5084-T07C	30,48(1,200)	33,56(1,321)	31,56(1,242)
08	5084-T08C	35,56(1,400)	38,64(1,521)	36,64(1,442)
09	5084-T09C	40,64(1,600)	43,72(1,721)	41,72(1,642)
10	5084-T10C	45,72(1,800)	48,80(1,921)	46,80(1,842)
11	5084-T11C	50,80(2,000)	53,88(2,121)	51,88(2,042)
12	5084-T12C	55,88(2,200)	58,96(2,321)	56,96(2,242)
13	5084-T13C	60,96(2,400)	64,04(2,521)	62,04(2,442)
14	5084-T14C	66,04(2,600)	69,12(2,721)	67,12(2,642)
15	5084-T15C	71,12(2,800)	74,20(2,921)	72,20(2,842)
16	5084-T16C	76,20(3,000)	79,28(3,121)	77,28(3,042)
17	5084-T17C	81,52(3,209)	84,36(3,321)	82,36(3,242)

T = Contact Plating

- T = 2. Tin plated
- T = 3. Gold flash over 50µ" nickel.
- C = Pin length
- C = 1. Dim. H = 11.48 mm. ; D = 4.38 mm.

